



Heyco-Flex™ Liquid Tight Conduit Fittings

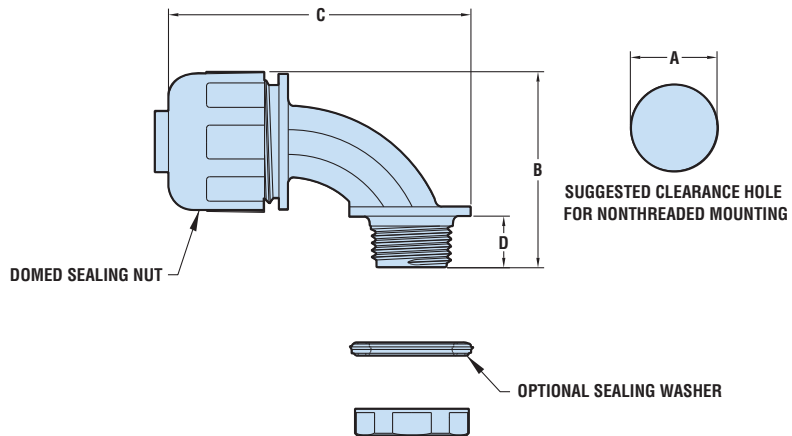
90° Sweep, NPT Hubs

For Flexible, Nonmetallic Liquid Tight Conduit and Tubing

- Multiple sizes for use with Heyco-Flex Conduit and Tubing. See pages 1-1 and 1-2.
- Smooth internal surfaces for easier wire installation around corner angles.
- Resists salt water, weak acids, gasoline, alcohol, oil, grease, and common solvents. This feature is not assessed by UL certification and testing.
- No disassembly required. Instead, the installer simply pushes the conduit or tubing onto the ferrule, then tightens the domed sealing nut. This completed assembly can then be secured in the panel by the locknut or into an NPT threaded hole.
- No threading of the conduit or tubing is required to install. This eliminates the possibility of cutting the conduit and creating leak paths.
- Complete conduit/connector system is reusable. Conduit will not wind tight onto the connector during assembly and can be easily removed by pulling while turning in a clockwise direction.
- Suitable for indoor/outdoor use; for original equipment manufacturers or field installers.
- Lower installed cost.
- Black connectors up to 1" provided with nylon locknut, packed separately. Larger than 1" provided with O-ring and metal locknut.
- Gray connectors provided with assembled O-ring and metal locknut.
- Use of a sealing washer may be required for wet locations. See page 1-13.
- See page 1-11 and 1-12 for locknuts.

FITS CONDUIT/TUBING TRADE SIZE	PART NO.		DESCRIPTION	THREAD SIZE	PART DIMENSIONS BODY AND SEALING UNIT							
	Black	Gray			A Clearance Hole		B Max. O.A. Height		C Max. O.A. Length		D Thread Length	
					in.	mm.	in.	mm.	in.	mm.	in.	mm.
3/8	8423	8424	HFC 3/8-90R	1/2 NPT	.875	22,2	1.982	50,3	2.912	73,9	.520	13,2
1/2	8425	8426	HFC 1/2-90R									
3/4	8427	8428	HFC 3/4-90R	3/4 NPT	1.109	28,1	2.293	58,2	3.172	80,5	.520	13,2
1	8412	8413	HFC 1-90R	1 NPT	1.375	34,9	2.833	71,9	3.964	100,6	.690	17,5
1-1/4	8652	8653	HFC 1-1/4-90R	1-1/4 NPT	1.734	44,0	3.950	100,3	4.575	116,1	.710	18,0
1-1/2	8654	8655	HFC 1-1/2-90R	1-1/2 NPT	1.984	50,4	4.460	113,2	4.900	124,4	.800	20,3
2	8656	8657	HFC 2-90R	2 NPT	2.469	62,7	4.900	124,4	5.500	139,6	.840	21,3

Standard color black or gray.



Quick Specs

Material Certifications	6/6 Nylon <ul style="list-style-type: none"> UL Listed under Underwriters' Laboratories File E28430 CSA Certified by Canadian Standards Association File LL84579 and LR81067
Flammability Rating	94V-2
Material Temperature Index	257°F (125°C)—Maximum temperature on part not to exceed 221°F (105°C)
IP Rating	IP 68 up to 70 psi (5 bar) water pressure