



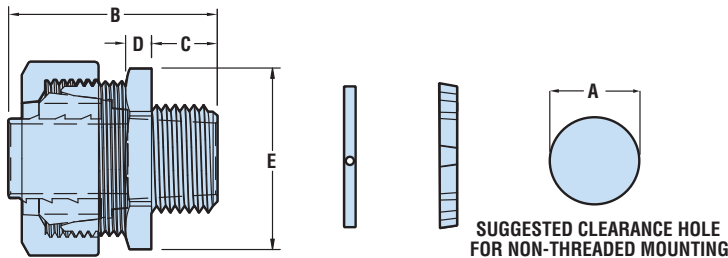
Heyco-Flex™ Metallic Liquid Tight Conduit Fittings

Straight-Thru, NPT Hubs

For use with Nonmetallic Heyco-Flex™ I Electrical Conduit



| FITS CONDUIT/TUBING TRADE SIZE | PART NO. | DESCRIPTION | PART DIMENSIONS | | | | | | | | | |
|--------------------------------|----------|-------------|-----------------------|------|-----------------------|------|--------------------|------|-------------------------|-----|----------------------|------|
| | | | BODY AND SEALING UNIT | | | | | | | | | |
| | | | A Clearance Hole | | B Max. O.A. Length | | C Thread Length | | D Wrenching Nut Thk. | | E Wrenching Flats | |
| in. | mm. | in. | mm. | in. | mm. | in. | mm. | in. | mm. | | | |
| 1/2 | 9794 | HFC-Z 1/2 | .890 | 22,6 | 1.270 | 32,3 | .486 | 12,3 | .161 | 4,1 | 1.185 | 30,1 |



- Suitable for outside, inside, and industrial uses including transformer connections, air conditioning, and heating.
- Suitable for use in both wet and dry location.
- Provides smooth connection, no sharp edges to strip wire.
- Cost effective die-cast zinc construction provides durability and resists rough environments.
- Supplied with locknut and plastic sealing ring.
- Fits the most common sizes of nonmetallic liquid tight conduit.
- For use with Heyco-Flex™ I Liquid Tight Conduit. See Page 1-1.

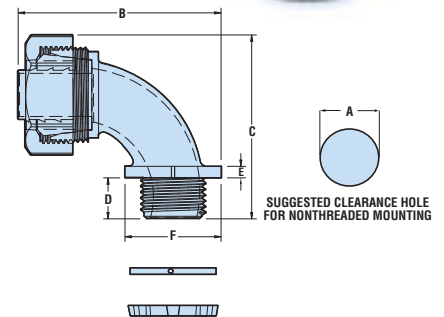
Heyco-Flex™ Metallic Liquid Tight Conduit Fittings

90° Sweep, NPT Hubs

For use with Nonmetallic Heyco-Flex™ I Electrical Conduit



| FITS CONDUIT/TUBING TRADE SIZE | PART NO. | DESCRIPTION | PART DIMENSIONS | | | | | | | | | | | |
|--------------------------------|----------|--------------|-----------------------|------|-----------------------|------|-----------------------|------|--------------------|------|-------------------------|-----|----------------------|------|
| | | | BODY AND SEALING UNIT | | | | | | | | | | | |
| | | | A Clearance Hole | | B Max. O.A. Length | | C Max. O.A. Height | | D Thread Length | | E Wrenching Nut Thk. | | F Wrenching Flats | |
| in. | mm. | in. | mm. | in. | mm. | in. | mm. | in. | mm. | in. | mm. | | | |
| 1/2 | 9796 | HFC-Z 1/2-90 | .890 | 22,6 | 2.346 | 59,6 | 2.118 | 53,8 | .515 | 13,1 | .105 | 2,9 | 1.135 | 28,8 |



| | |
|---------------------------|--|
| Material | Die cast zinc |
| Certifications | UL Listed under UL File E103541 |
| Ingress Protection | Liquid tight when used with Heyco-Flex™ I electrical conduit |

Quick Specs