



# Heyco-Flex™ “Quick Twist” Liquid Tight Conduit Fittings Straight-Thru, NPT Hubs

For use with Heyco-Flex™ I and II Conduit and Tubing

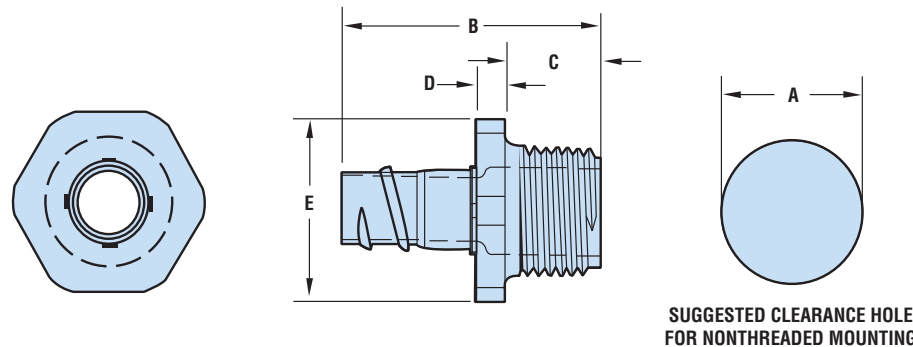


FITS CONDUIT/ TUBING TRADE SIZE	PART NO.		DESCRIPTION	PART DIMENSIONS									
	Black	Gray		A Clearance Hole		B Max. O.A. Length		C Thread Length		D Wrenching Nut		E Wrenching Flats	
				in.	mm.	in.	mm.	in.	mm.	in.	mm.	in.	mm.
1/4	8517	8518	*HFC 1/4 NPT-twist	.540	13,7	1.559	39,6	.465	11,8	.200	5,1	.750	19,0
3/8	8487	8488	HFC 3/8 NPT-twist	.875	22,2	1.720	43,7	.625	15,9	.200	5,1	1.180	30,0
1/2	8493	8494	HFC 1/2 NPT-twist	.875	22,2	1.720	43,7	.625	15,9	.200	5,1	1.180	30,0
3/4	8497	8498	HFC 3/4 NPT-twist	1.109	28,2	1.840	46,7	.625	15,9	.200	5,1	1.370	34,8

Standard colors black and gray. Consult Heyco for other colors.

UL Listed under Underwriters' Laboratories File E28430.

\* Recognized under the Component Program of Underwriters' Laboratories File E121095.



- NPT threaded fittings are UL approved for use with Heyco-Flex I & II conduit and tubing. See pages 1-1 and 1-2.
- One-piece solution with smooth internal surfaces provides for easier wire routing, protection, and installation.
- All nylon construction is resistant to salt water, weak acids, gasoline, alcohol, oil, grease, and common solvents. This feature is not assessed by UL certification and testing.
- Easy, permanent assembly: the installer twists the tubing over the connector ferrule, until the tubing clicks into place. It's that easy!
- No tools needed for installation.
- Unique locking fingers accommodate various panel thicknesses.
- Suitable for a wide array of electrical applications:
  - Commercial and Industrial HVAC Systems
  - Motorized Equipment
  - Enclosed Power Sources
  - Garage Door Openers
  - Major Appliances
- If using a tapped hole, Teflon® tape is needed on the threads of the connector, for all other applications an O-ring and Locknut are needed to attain liquid tight.
- **Locknuts not included.**  
To order metal or nylon locknuts separately, see pages 1-11 and 1-12.
- Finishing collars to neaten rough cut tubing ends. See page 1-7.

Material	6/6 Nylon
Certifications	See UL and Recognized Listed File Numbers under charts
Flammability Rating	94V-2
Material Temperature Index	257°F (125°C)–Maximum temperature on part not to exceed 221°F (105°C)
Ingress Protection	NPT Threaded style is liquid tight. Consult Heyco for details.

Quick  
Specs