



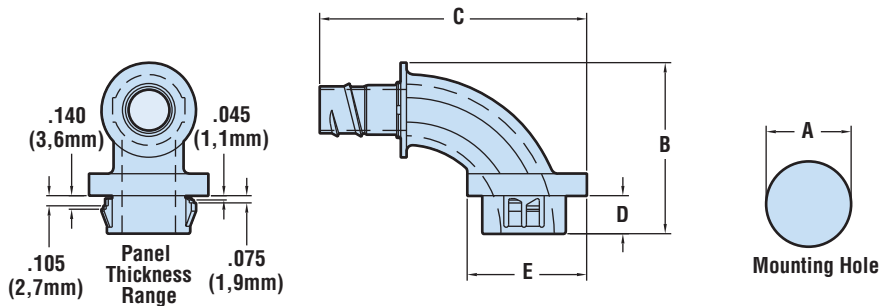
Heyco-Flex™ “Quick Twist” Conduit Fittings 90° Sweep, Snap-In Hubs

For use with Heyco-Flex™ II Tubing

- Snap-in Fittings are UL approved for use with Heyco-Flex™ II tubing. See page 1-2.
- One-piece solution with smooth internal surfaces provides for easier wire routing, protection, and installation.
- All nylon construction is resistant to salt water, weak acids, gasoline, alcohol, oil, grease, and common solvents. This feature is not assessed by UL certification and testing.
- Easy, permanent assembly: the installer twists the tubing over the connector ferrule, until the tubing clicks into place. It's that easy!
- No tools needed for installation.
- Unique locking fingers accommodate various panel thicknesses.
- Suitable for a wide array of electrical applications:
 - Commercial and Industrial HVAC Systems
 - Motorized Equipment
 - Enclosed Power Sources
 - Garage Door Openers
 - Major Appliances
- Finishing collars to neaten rough cut tubing ends. See page 1-7.

FITS TUBING TRADE SIZE	PART NO.		DESCRIPTION	PART DIMENSIONS									
	Black	Gray		A		B		C		D		E	
				Mounting Hole Dia.	Max O.A. Height	Max O.A. Length	Body Length	Flange Dia.					
			in.	mm.	in.	mm.	in.	mm.	in.	mm.	in.	mm.	
3/8	8500	8501	HFC 3/8-S-90-twist	.875	22,2	1.754	44,6	2.749	69,8	.390	9,9	1.230	31,2
1/2	8505	8506	HFC 1/2-S-90-twist	.875	22,2	1.754	44,6	2.749	69,8	.390	9,9	1.230	31,2
3/4	8510	8511	HFC 3/4-S-90-twist	1.093	27,8	1.965	50,0	3.081	78,3	.390	9,9	1.500	38,1

Standard colors black and gray. Consult Heyco for other colors.



Quick
Specs

Material	6/6 Nylon
Certifications	Recognized under the Component Program of Underwriters' Laboratories File E121095
Flammability Rating	94V-2
Material Temperature Index	257°F (125°C)—Maximum temperature on part not to exceed 221°F (105°C)