



# Flexicon Nylon Conduit Fittings

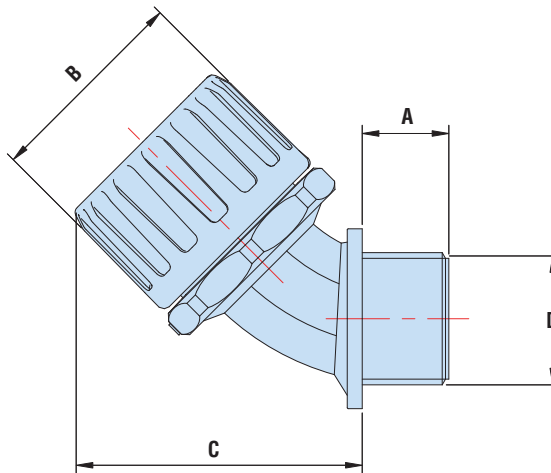
## 45° Sweep, NPT Hub

For Flexible, Corrugated Nylon Conduit/Tubing



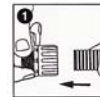
| FITS CONDUIT NOMINAL SIZE | PART NO. |       | DESCRIPTION   | THREAD SIZE | PART DIMENSIONS BODY AND SEALING UNIT |      |                         |      |                       |      |                     |      |
|---------------------------|----------|-------|---------------|-------------|---------------------------------------|------|-------------------------|------|-----------------------|------|---------------------|------|
|                           | Black    | Gray  |               |             | A<br>Thread Length                    |      | B<br>Max. O.A. Diameter |      | C<br>Max. O.A. Length |      | D<br>Clearance Hole |      |
|                           |          |       |               |             | in.                                   | mm.  | in.                     | mm.  | in.                   | mm.  | in.                 | mm.  |
| 16 mm                     | F8706    | F8707 | FPA 16-050-45 | NPT 1/2     | .512                                  | 13,0 | 1.122                   | 28,5 | 1.634                 | 41,5 | .875                | 22,2 |
| 21 mm                     | F8710    | F8711 | FPA 21-050-45 | NPT 1/2     | .512                                  | 13,0 | 1.260                   | 32,0 | 1.693                 | 43,0 | .875                | 22,2 |
| 28 mm                     | F8716    | F8717 | FPA 28-075-45 | NPT 3/4     | .591                                  | 15,0 | 1.732                   | 44,0 | 2.283                 | 58,0 | 1.109               | 28,2 |
| 34 mm                     | F8720    | F8721 | FPA 34-100-45 | NPT 1       | .630                                  | 16,0 | 1.988                   | 50,5 | 2.559                 | 65,0 | 1.375               | 34,9 |
| 42 mm                     | F8724    | F8725 | FPA 42-150-45 | NPT 1-1/2   | .669                                  | 17,0 | 2.469                   | 62,7 | 3.189                 | 81,0 | 1.984               | 50,4 |
| 54 mm                     | F8728    | F8729 | FPA 54-150-45 | NPT 1-1/2   | .669                                  | 17,0 | 2.992                   | 76,0 | 3.504                 | 89,0 | 1.984               | 50,4 |

Standard color black. Consult Heyco for other colors.

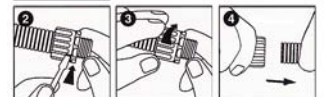


- For use with Flexicon corrugated conduit/tubing. See pages 1-15 and 1-16.
- Suitable for use with both coarse and/or fine pitch conduit/tubing.
- Unitary design and assembled shipment allows fast fit.
- All nylon construction resists salt water, weak acids, gasoline, alcohol, oil, grease, and common solvents. This feature is not assessed by UL certification and testing.
- No threading of the conduit or tubing is required to install.
- **Locknuts not included**, refer to page 1-12 for Nylon Locknuts.
- Suitable for use by all original equipment manufacturers.
- Protection class IP 66 per EN 60529 including high pressure water jet from any angle.
- Vibration and tamper resistant, but easily removed with a screwdriver.

Assembly instructions:



Removal instructions:



|                     |   |
|---------------------|---|
| Material            | Polyamide Nylon 6/6   |
| Certifications      | Recognized under Underwriters' Laboratories File E229161<br>Approved as per EN50086                           |
| Flammability Rating | 94V-2 and Low Fire Hazard Including Low Smoke, Low Toxicity as well as Halogen, Sulphur, and Phosphorous Free |
| IP Rating           | IP 66 standard as per EN60529 IP 66<br>IP 66&67&68 available—consult factory and specify FPAX fittings        |
| Temperature Rating  | The temperature rating for all FPA fittings meets or exceeds that for all Flexicon conduit/tubing.            |

Quick Specs