



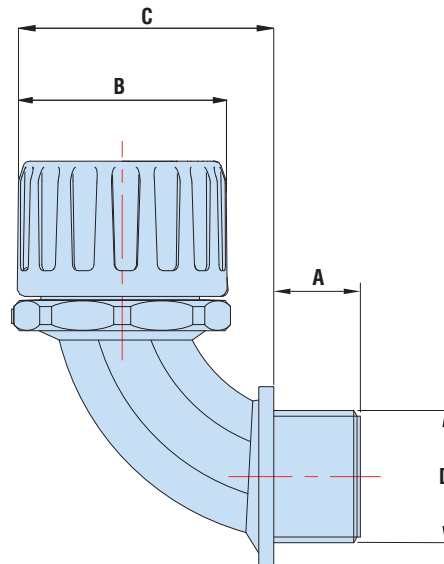
Flexicon Nylon Conduit Fittings 90° Sweep, NPT Hub

For Flexible, Corrugated Nylon Conduit/Tubing

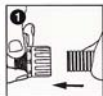
- For use with Flexicon corrugated conduit/tubing. See pages 1-15 and 1-16.
- Suitable for use with both coarse and/or fine pitch conduit/tubing.
- Unitary design and assembled shipment allows fast fit.
- All nylon construction resists salt water, weak acids, gasoline, alcohol, oil, grease and common solvents. This feature is not assessed by UL certification or testing.
- No threading of the conduit or tubing is required to install.
- **Locknuts not included**, refer to page 1-12 for Nylon Locknuts.
- Suitable for use by all original equipment manufacturers.
- Protection class IP 66 per EN 60529 including high pressure water jet from any angle.
- Vibration and tamper resistant, but easily removed with a screwdriver.

FITS CONDUIT NOMINAL SIZE	PART NO.		DESCRIPTION	THREAD SIZE	PART DIMENSIONS BODY AND SEALING UNIT							
	Black	Gray			A		B		C		D	
					Thread Length	Max. O.A. Diameter	Max. O.A. Length	Clearance Hole	in.	mm.	in.	mm.
16 mm	F8606	F8607	FPA 16-050-90	1/2 NPT	.512	13,0	1.122	28,5	1.476	37,5	.875	22,2
21 mm	F8610	F8611	FPA 21-050-90	1/2 NPT	.512	13,0	1.260	32,0	1.555	39,5	.875	22,2
28 mm	F8616	F8617	FPA 28-075-90	3/4 NPT	.591	15,0	1.732	44,0	1.988	50,0	1.109	28,2
34 mm	F8620	F8621	FPA 34-100-90	1 NPT	.630	16,0	1.988	50,5	2.303	58,5	1.375	34,9
42 mm	F8622	F8623	FPA 42-125-90	1-1/4 NPT	.630	16,0	2.469	62,7	3.150	80,0	1.375	34,9
42 mm	F8624	F8625	FPA 42-150-90	1-1/2 NPT	.669	17,0	2.469	62,7	3.228	82,0	1.984	50,4
54 mm	F8626	F8627	FPA 54-150-90	1-1/2 NPT	.669	17,0	2.992	76,0	3.425	87,0	1.984	50,4
54 mm	F8628	F8629	FPA 54-200-90	2 NPT	.728	18,5	2.992	76,0	3.445	87,5	2.469	62,7
67 mm	F8630	F8631	FPA 67-200-90	2 NPT	.728	18,5	3.543	90,0	3.740	95,0	2.469	62,7

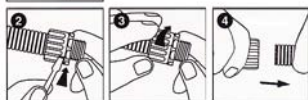
Standard color black. Consult Heyco for other colors.



Assembly instructions:



Removal instructions:



Quick Specs

Material	Polyamide Nylon 6/6
Certifications	Recognized under Underwriters' Laboratories File E229161 Approved as per EN50086
Flammability Rating	94V-2 and Low Fire Hazard Including Low Smoke, Low Toxicity as well as Halogen, Sulphur, and Phosphorous Free
IP Rating	IP 66 standard as per EN60529 IP 66 IP 66, 67, & 68 available—consult factory and specify FPAX fittings
Temperature Rating	The temperature rating for all FPA fittings meets or exceeds that for all Flexicon conduit/tubing