



Flexicon Nylon Conduit Fittings

90° Sweep, PG Hub



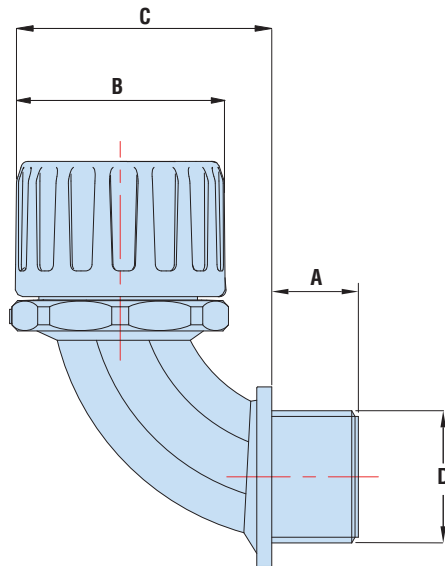
For Flexible, Corrugated Nylon Conduit/Tubing

FITS CONDUIT NOMINAL SIZE	PART NO.		DESCRIPTION	THREAD SIZE	PART DIMENSIONS BODY AND SEALING UNIT							
	Black	Gray			A		B		C		D	
					Thread Length	in.	mm.	Max. O.A. Diameter	in.	mm.	Max. O.A. Length	in.
10 mm	F8640	F8641	FPA 10-PG7-90	* PG 7	.315	8,0	.748	19,0	.945	24,0	.492	12,5
13 mm	F8642	F8643	FPA 13-PG9-90	* PG 9	.394	10,0	.925	23,5	1.437	36,5	.599	15,2
16 mm	F8646	F8647	FPA 16-PG11-90	PG 11	.394	10,0	1.122	28,5	1.535	39,0	.733	18,6
16 mm	F8648	F8649	FPA 16-PG13-90	PG 13	.394	10,0	1.122	28,5	1.614	41,0	.804	20,4
21 mm	F8650	F8651	FPA 21-PG13-90	PG 13	.394	10,0	1.266	32,0	1.614	41,0	.804	20,4
21 mm	F8652	F8653	FPA 21-PG16-90	PG 16	.453	11,0	1.266	32,0	1.614	41,0	.886	22,5
28 mm	F8656	F8657	FPA 28-PG21-90	PG 21	.472	12,0	1.732	44,0	2.094	53,2	1.115	28,3
34 mm	F8660	F8661	FPA 34-PG29-90	PG 29	.472	12,0	1.988	50,5	2.488	62,3	1.470	37,3
42 mm	F8662	F8663	FPA 42-PG36-90	PG 36	.472	12,0	2.469	62,7	3.358	85,3	1.850	47,0
54 mm	F8666	F8667	FPA 54-PG48-90	PG 48	.472	12,0	2.992	76,0	3.831	97,3	2.335	59,3

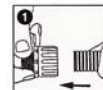
Standard color black. Consult Heyco for other colors.

*Not recognized.

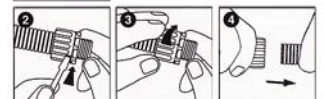
- For use with Flexicon corrugated conduit/tubing. See pages 1-15 and 1-16.
- Suitable for use with both coarse and/or fine pitch conduit/tubing.
- Unitary design and assembled shipment allows fast fit.
- All nylon construction resists salt water, weak acids, gasoline, alcohol, oil, grease, and common solvents. This feature is not assessed by UL certification.
- No threading of the conduit or tubing is required to install.
- **Locknuts not included**, refer to page 1-12 for Nylon Locknuts.
- Suitable for use by original equipment manufacturers.
- Protection class IP 66 per EN 60529 including high pressure water jet from any angle.
- Refer to page 1-27 for PG thread specifications.
- Vibration and tamper resistant, but easily removed with a screwdriver.



Assembly instructions:



Removal instructions:



Material	Polyamide Nylon 6/6
Certifications	Recognized under Underwriters' Laboratories File E229161 Approved as per EN50086
Flammability Rating	94V-2 and Low Fire Hazard Including Low Smoke, Low Toxicity as well as Halogen, Sulphur, and Phosphorous Free
IP Rating	IP 66 standard as per EN60529 IP 66&67&68 available—consult factory and specify FPAX fittings
Temperature Rating	The temperature rating for all FPA fittings meets or exceeds that for all Flexicon conduit/tubing

Quick Specs