



Flexicon Nylon Conduit Fittings

90° Sweep, Metric Hub

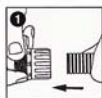
For Flexible, Corrugated Nylon Conduit/Tubing

- For use with Flexicon corrugated conduit/tubing. See pages 1-15 and 1-16.
- Suitable for use with both coarse and/or fine pitch conduit/tubing.
- Unitary design and assembly shipment allows fast fit.
- All nylon construction resists salt water, weak acids, gasoline, alcohol, oil, grease, and common solvents. This feature is not assessed by UL certification or testing.
- No threading of the conduit or tubing is required to install.
- **Locknuts INCLUDED.**
- Suitable for use by original equipment manufacturers.
- Protection class IP 66 per EN 60529 including high pressure water jet from an angle.
- Vibration and tamper resistant, but easily removed with a screwdriver.

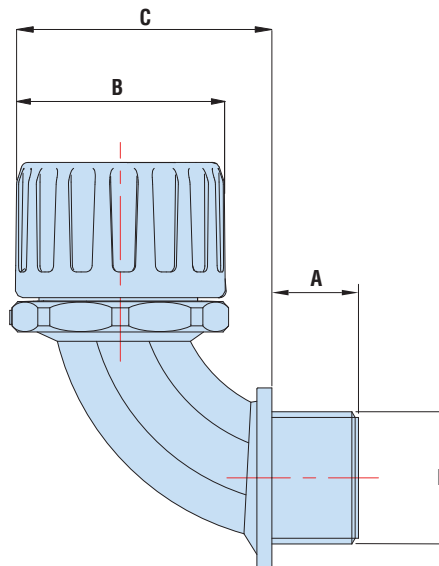
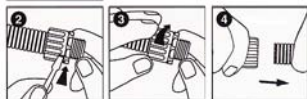
FITS CONDUIT NOMINAL SIZE	PART NO.		DESCRIPTION	THREAD SIZE	PART DIMENSIONS BODY AND SEALING UNIT							
	Black	Gray			A		B		C		D	
					Thread Length in.	mm.	Max. O.A. Diameter in.	mm.	Max. O.A. Length in.	mm.	Clearance Hole in.	mm.
10 mm	F8670	F8671	FPA 10-M12-90	M12x1,5	.315	8,0	.748	19,0	.945	24,0	.473	12,0
13 mm	F8672	F8673	FPA 13-M16-90	M16x1,5	.453	11,5	.925	23,5	.366	34,7	.630	16,0
16 mm	F8674	F8675	FPA 16-M16-90	M16x1,5	.453	11,5	1.122	28,5	1.476	37,5	.630	16,0
16 mm	F8676	F8677	FPA 16-M20-90	M20x1,5	.512	13,0	1.122	28,5	1.476	37,5	.787	20,0
21 mm	F8680	F8681	FPA 21-M20-90	M20x1,5	.512	13,0	1.260	32,0	1.555	39,5	.787	20,0
28 mm	F8686	F8687	FPA 28-M25-90	M25x1,5	.591	15,0	1.732	44,0	1.988	50,5	.985	25,0
34 mm	F8690	F8691	FPA 34-M32-90	M32x1,5	.630	16,0	1.988	50,5	2.303	58,5	1.260	32,0
42 mm	F8694	F8695	FPA 42-M50-90	M50x1,5	.630	16,0	2.469	62,7	3.268	83,0	1.969	50,0
54 mm	F8696	F8697	FPA 54-M50-90	M50x1,5	.630	16,0	2.992	76,0	3.465	88,0	1.969	50,0
54 mm	F8698	F8699	FPA 54-M63-90	M63x1,5	.630	16,0	2.992	76,0	3.465	88,0	2.480	63,0
67 mm	F8678	F8679	FPA 67-M63-90	M63x1,5	.630	16,0	3.543	90,0	3.740	95,0	2.480	59,3

Standard color black. Consult Heyco for other colors.

Assembly instructions:



Removal instructions:



Quick Specs

Material	Polyamide Nylon 6/6
Certifications	UL Recognized under Underwriters' Laboratories File E229161 CE Approved as per EN50086
Flammability Rating	94V-2 and Low Fire Hazard Including Low Smoke, Low Toxicity as well as Halogen, Sulphur, and Phosphorous Free
IP Rating	IP 66 standard as per EN60529 IP 66&67&68 available—consult factory and specify FPAX fittings
Temperature Rating	The temperature rating for all FPA fittings meets or exceeds that for all Flexicon conduit/tubing