



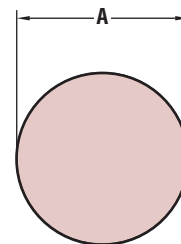
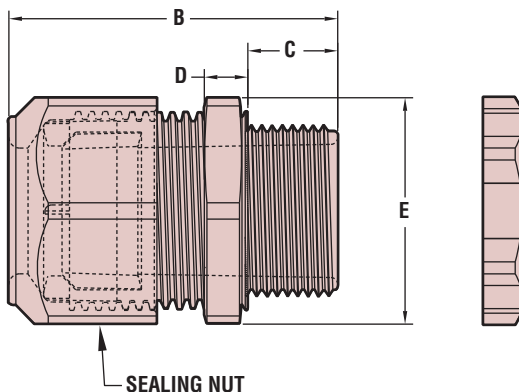
Heyco® Liquid Tight Cordgrips Straight-Thru, Metric Hubs

For Flexible Cords. For use in clearance or threaded holes.

- Multiple sizes for cable diameters ranging from .065" (1,7 mm) to 1.730" (44,0 mm).
- We recommend using the cordgrip with the smallest maximum diameter that will fit your application.
- Ratchet design of sealing nut assembly provides superior anti-vibration protection and ensures a firm grip on this cable.
- Integral Sealing Ring ensures a superior seal at mounting locations every time.
- Acme threads on body prevent skipping and speed installation.
- All nylon construction with Buna N sealing gland resists salt water, weak acids, gasoline, alcohol, oil, grease, and common solvents. This feature is not assessed by UL.
- Suitable for NEMA 6P enclosures.
- **Locknuts INCLUDED.**
- Consult Heyco for cordgrips molded in other colors.

CABLE DIA. RANGE				PART NO.		DESCRIPTION	PART DIMENSIONS									
Min. Dia.		Max. Dia.		Black	Gray		A Clearance Hole		B Max. O.A. Length		C Thread Length		D Wrenching Nut Thk.		E Wrenching Flats	
in.	mm.	in.	mm.			in.	mm.	in.	mm.	in.	mm.	in.	mm.	in.	mm.	
.065	1,7	.220	5,6	M4330	M4331	* RLTCG M12	.473	12,0	1.16	29,5	.32	8,1	.21	5,3	.63	16,0
.115	2,9	.250	6,4	M4332	M4333	* LTCG M12										
.065	1,7	.187	4,7	M4334	M4335	* RLTCG M16	.630	16,0	1.25	31,8	.32	8,1	.21	5,3	.83	21,0
.105	2,7	.312	7,9	M4336	M4337	* LTCG M16										
.095	2,4	.260	6,6	M4338	M4339	RLTCG M20	.787	20,0	1.49	37,8	.41	10,4	.21	5,3	.98	24,9
.170	4,3	.450	11,4	M4340	M4341	LTCG M20										
.250	6,4	.485	12,3	M4342	M4343	RLTCG M25	.985	25,0	1.89	48,0	.52	13,2	.25	6,4	1.30	33,0
.485	12,3	.709	18,0	M4344	M4345	LTCG M25										
.490	12,4	.787	20,0	M4346	M4347	RLTCG M32	1.260	32,0	2.23	56,6	.58	14,7	.30	7,6	1.73	43,9
.590	15,0	1.000	25,4	M4348	M4349	LTCG M32										
.787	20,0	1.020	25,9	M4350	M4351	RLTCG M40	1.575	40,0	2.39	60,7	.48	12,2	.30	7,6	2.05	52,1
.865	22,0	1.260	32,0	M4352	M4353	LTCG M40										
1.23	31,2	1.56	39,6	M3300	M3301	LTCG M50	1.97	50,0	2.50	63,5	.45	11,4	.36	9,1	2.48	63,0
1.00	25,4	1.24	31,5	M3302	M3303	RLTCG M50										
1.45	36,8	1.560	44,0	M3304	M3305	LTCG M63	2.48	63,0	2.63	66,7	.49	12,4	.42	10,7	2.75	69,9
1.16	29,5	1.35	34,2	M3306	M3307	RLTCG M63										

Standard colors black and gray.
 *RA Recognized under Underwriters' Laboratories.



SUGGESTED CLEARANCE HOLE FOR NONTHEADED MOUNTING

Quick Specs

Material	6/6 Nylon with Buna N sealing gland
Certifications	<ul style="list-style-type: none"> UL Listed under Underwriters' Laboratories File E51579 RA Recognized under the Component Program of Underwriters' Laboratories File E51579 SF Certified by Canadian Standards Association File LR93876C Marks License #136681 CE Per EC Low Voltage Directive 73/23/EEC
Flammability Rating	94V-2
Temperature Rating	Static -40°F (-40°C) to 239°F (115°C) Dynamic -4°F (-20°C) to 212°F (100°C)
IP Rating	IP 68 (70 PSI, 5 BAR)