



Heyco® Liquid Tight Cordgrips Pigtail™, Metric Hubs

For Flexible Cords. For use in clearance or threaded holes.

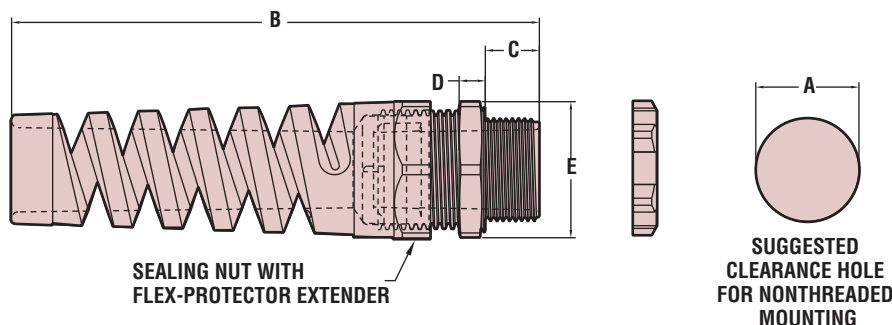


CABLE DIA. RANGE				PART NO.		DESCRIPTION	PART DIMENSIONS									
Min. Dia.		Max. Dia.		Black	Gray		A		B		C		D		E	
in.	mm.	in.	mm.				Clearance Hole	Max. O.A. Length	Thread Length	Wrenching Nut Thk.	Wrenching Flats	in.	mm.	in.	mm.	in.
.065	1,7	.220	5,6	M4396	M4397	* FLEX RLTCG M12	.473	12,0	2.44	62,0	.32	8,1	.21	5,3	.63	16,0
.115	2,9	.250	6,4	M4398	M4399	* FLEX LTCG M12										
.065	1,7	.187	4,7	M4400	M4401	* FLEX RLTCG M16	.630	16,0	2.77	70,4	.32	8,1	.21	5,3	.83	21,1
.105	2,7	.312	7,9	M4402	M4403	* FLEX LTCG M16										
.095	2,4	.260	6,6	M4404	M4405	FLEX RLTCG M20	.787	20,0	3.89	98,8	.41	10,4	.21	5,3	.98	24,9
.170	4,3	.450	11,4	M4406	M4407	FLEX LTCG M20										
.250	6,4	.485	12,3	M4408	M4409	FLEX RLTCG M25	.985	25,0	5.04	128,0	.52	13,2	.25	6,4	1.30	33,0
.485	12,3	.709	18,0	M4410	M4411	FLEX LTCG M25										

Standard colors black and gray.

* Recognized under Underwriters' Laboratories.

- Multiple sizes for cable diameters ranging from .065" (1,7 mm) to .709" (18,0 mm).
- We recommend using the fitting with the smallest maximum diameter that will fit your application.
- Ratchet design of sealing nut assembly provide superior anti-vibration protection and ensures a firm grip on this cable.
- Integral Sealing Ring ensures a superior seal at mounting locations every time.
- Acme threads on body prevent skipping and speed installation.
- All nylon construction with Buna N sealing gland resists salt water, weak acids, gasoline, alcohol, oil, grease, and common solvents. This feature is not assessed by UL.
- Flexible Pigtail™ extender prevents sharp bends and extends cable life.
- Suitable for NEMA type 6 and 6P enclosures.
- Consult Heyco for multiple or flat cable sealing glands.
- **Locknuts INCLUDED.**
- Consult Heyco for cordgrips molded in other colors.



Material	6/6 Nylon w/Buna N Sealing Gland
Certifications	Listed under Underwriters' Laboratories File E51579
	Recognized under the Component Program of Underwriters' Laboratories File E51579
	Certified by Canadian Standards Association File LR93876C
	VDE Marks License 136681
	Per EC Low Voltage Directive 73/23/EEC
Flammability Rating	94V-2
Temperature Rating	Static -40°F (-40°C) to 239°F (115°C)
	Dynamic -4°F (-20°C) to 212°F (100°C)
IP Rating	IP 68 (70 PSI, 5 BAR)

Quick
Specs