



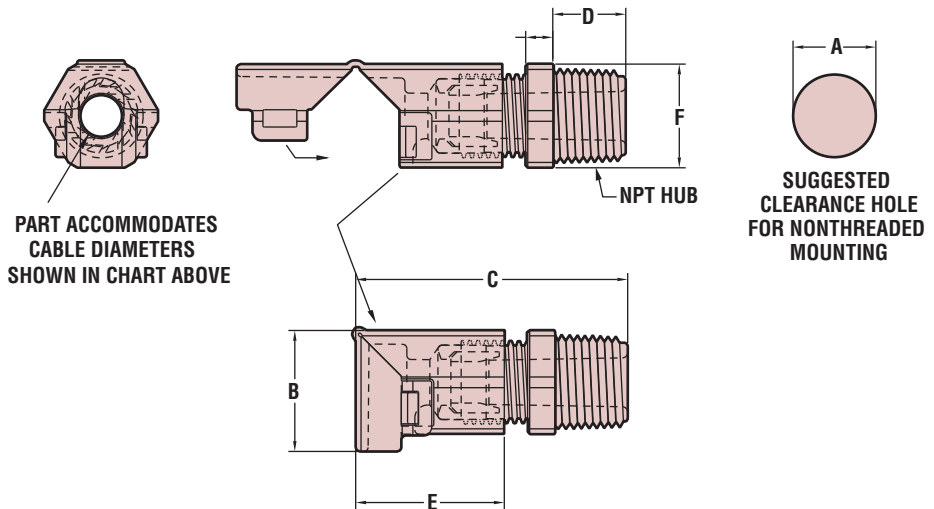
Heyco® Liquid Tight Cordgrips Right Angle, NPT Hubs

For Flexible Cords. For use in clearance or threaded holes.

- Multiple sizes for cable diameters ranging from .065" (1,7 mm) to .450" (11,4 mm).
- We recommend using the fitting with the smallest maximum diameter that will fit your application.
- Each cordgrip is molded in the open position for ease of installation. After cable insertion, the fitting snaps closed, bending the cable without damage. This assembly method saves considerable time and money.
- Part design provides liquid tight integrity even in the open position.
- Acme threads on body prevent skipping and speed installation.
- Suitable for NEMA 6 and 6P enclosures.
- **Locknuts not included.** For nylon locknut specifications or to order locknuts separately, see page 2-21.
- Consult Heyco for cordgrips molded in other colors.

CABLE DIA. RANGE				PART NO.		DESCRIPTION	PART DIMENSIONS											
Min. Dia.		Max. Dia.		Black	Gray		A Clearance Hole		B Right Angle Height		C Max O.A. Length (Closed)		D Thread Length		E Sealing Nut Length		F Wrenching Flats	
in.	mm.	in.	mm.			in.	mm.	in.	mm.	in.	mm.	in.	mm.	in.	mm.	in.	mm.	
.065	1,7	.220	5,6	M4560	M4561	RLTCG 1/4 90	.540	13,7	.69	17,5	1.66	42,2	.45	11,4	.86	21,9	.63	16,0
.115	2,9	.250	6,3	M4562	M4563	LTCG 1/4 90												
.069	1,8	.187	4,7	M8560	M8561	RLTCG 3/8 90	.670	17,0	.88	22,3	1.96	49,8	.53	13,5	1.07	27,1	.75	19,1
.181	4,6	.305	7,7	M8562	M8563	LTCG 3/8 90												
.095	2,4	.260	6,6	M4564	M4565	RLTCG 1/2 90	.875	22,2	1.06	26,9	2.40	61,0	.62	15,7	1.38	35,1	.95	24,1
.170	4,3	.450	11,4	M8564	M8565	LTCG 1/2 90												

Standard colors black and gray.



Quick Specs

Materials	6/6 Nylon w/Buna N Sealing Gland
Certifications	UL Listed under Underwriters' Laboratories' File E51579 SP Certified by Canadian Standard Association File LR93876C
Flammability Rating	94V-2
Temperature Rating	Static -40°F (-40°C) to 239°F (115°C) Dynamic -4°F (-20°C) to 212°F (100°C)
IP Rating	IP 68 (70 PSI, 5 BAR)