



Heyco® Liquid Tight Cordgrips Right Angle, PG Hubs

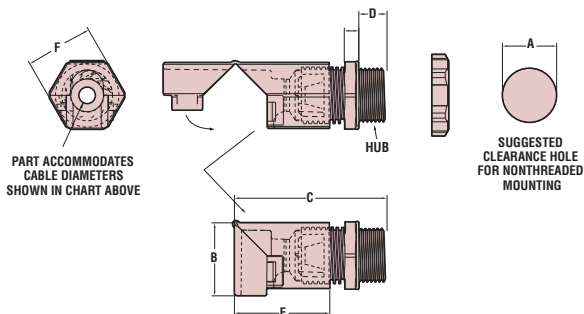
For Flexible Cords. For use in clearance or threaded holes.



CABLE DIA. RANGE				PART NO.		DESCRIPTION	PART DIMENSIONS											
Min. Dia.		Max. Dia.		Black	Gray		A Clearance Hole		B Right Angle Height		C Max O.A. Length (Closed)		D Thread Length		E Sealing Nut Length		F Wrenching Flats	
in.	mm.	in.	mm.	in.	mm.		in.	mm.	in.	mm.	in.	mm.	in.	mm.	in.	mm.	in.	mm.
.064	1,6	.210	5,3	M8530	M8531	RLTCG 7 90	.492	12,5	.69	17,5	1.53	38,8	.33	8,4	.86	21,8	.59	15,0
.114	2,9	.250	6,4	M8532	M8533	LTCG 7 90												
.069	1,8	.187	4,7	M8534	M8535	RLTCG 9 90	.599	15,2	.88	22,3	1.77	44,9	.34	8,6	1.07	27,1	.75	19,1
.181	4,6	.305	7,7	M8536	M8537	LTCG 9 90												
.078	2,0	.260	6,6	M8538	M8539	RLTCG 11 90	.733	18,6	.99	25,1	1.99	50,5	.39	9,9	1.23	31,2	.86	21,8
.230	5,8	.375	9,5	M8540	M8541	LTCG 11 90												
.095	2,4	.260	6,6	M4542	M4543	RLTCG 13.5 90	.804	20,4	1.06	26,9	2.22	56,4	1.38	35,1	1.38	35,1	.98	24,9
.170	4,3	.470	11,9	M8542	M8543	*LTCG 13.5 90												

Standard colors black and gray.

* Listed



- Each cordgrip is molded in the open position for ease of installation. After cable insertion, the cordgrip snaps closed, bending the cable without damage. This assembly method saves considerable time and money.
- We recommend using the fitting with the smallest maximum diameter that will fit your application.
- Part design provides liquid tight integrity even in the open position.
- Acme threads on body prevent skipping and speed installation.
- All nylon construction with Buna N gland resists salt water, weak acids, gasoline, alcohol, oil, grease, and common solvents. This feature is not assessed by UL.
- Suitable for NEMA 6P enclosures.
- Recognized Under the Component Program of Underwriters' Laboratories File E51579.
- VDE Marks License #13668 for metric parts only.
- per CE Low Voltage Directive 73/23/EEC.
- See Quick Specs on page 2-7.
- **Locknuts INCLUDED.**
- Consult Heyco for cordgrips molded in other colors.

Heyco® Liquid Tight Cordgrips Right Angle, Metric Hubs

For Flexible Cords. For use in clearance or threaded holes.

CABLE DIA. RANGE				PART NO.		DESCRIPTION	PART DIMENSIONS											
Min. Dia.		Max. Dia.		Black	Gray		A Clearance Hole		B Right Angle Height		C Max O.A. Length (closed)		D Threaded Length		E Sealing Nut Length		F Wrenching Flats	
in.	mm.	in.	mm.	in.	mm.		in.	mm.	in.	mm.	in.	mm.	in.	mm.	in.	mm.	in.	mm.
.065	1,7	.220	5,6	M4448	M4449	* RLTCG M12 90	.473	12,0	.69	17,5	1.528	38,8	.32	8,1	.86	21,8	.63	16,0
.115	2,9	.250	6,4	M4450	M4451	* LTCG M12 90	.473	12,0	.69	17,5	1.528	38,8	.32	8,1	.86	21,8	.63	16,0
.065	1,7	.187	4,7	M4452	M4453	* RLTCG M16 90	.630	16,0	.88	22,4	1.770	45,0	.32	8,1	1.07	27,2	.83	21,0
.105	2,7	.312	7,9	M4454	M4455	* LTCG M16 90	.630	16,0	.88	22,4	1.770	45,0	.32	8,1	1.07	27,2	.83	21,0
.095	2,4	.260	6,6	M4456	M4457	RLTCG M20 90	.787	20,0	1.06	26,9	2.220	56,4	.41	10,4	1.38	35,1	.98	24,9
.170	4,3	.450	11,4	M4458	M4459	LTCG M20 90	.787	20,0	1.06	26,9	2.220	56,4	.41	10,4	1.38	35,1	.98	24,9

Standard colors black and gray.

* Recognized under Underwriters' Laboratories.