



Heyco® -Tite Liquid Tight Cordgrips Pigtail™, NPT Hubs

For Flexible Cords. For use in clearance or threaded holes.

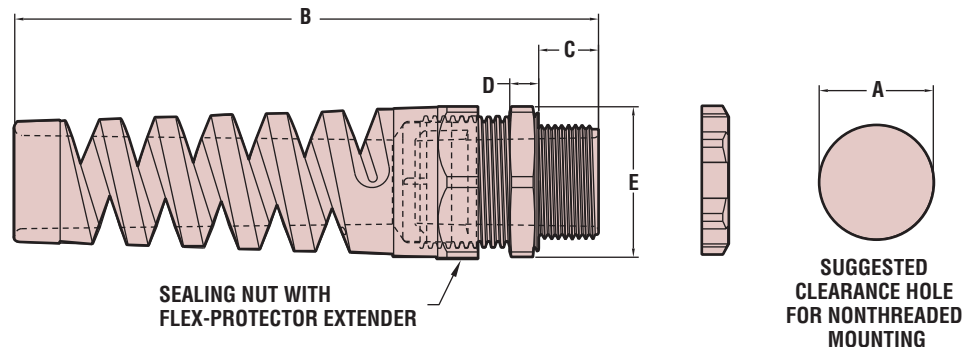
The Ultimate in Liquid Tight Strain Relief Protection

- Multiple sizes for cable diameters ranging from .065" (1,7 mm) to .709" (18,0 mm).
- We recommend using the fitting with the smallest maximum diameter that will fit your application.
- Ratchet design of sealing nut assembly provides superior anti-vibration protection and ensures a firm grip on the cable.
- Integral Sealing Ring ensures a superior seal at mounting location every time.
- Acme threads on body prevent skipping and speed installation.
- All nylon construction with Buna N sealing gland resists salt water, weak acids, gasoline, alcohol, oil, grease, and common solvents. This feature is not assessed by UL.
- Suitable for NEMA 6 and 6P enclosures.
- **Locknuts not included.** For nylon locknut specifications or to order locknuts separately, see page 2-21.
- Consult Heyco for cordgrips molded in other colors.

CABLE DIA. RANGE				PART NO.		DESCRIPTION	PART DIMENSIONS									
Min. Dia.		Max. Dia.		Black	Gray		A Clearance Hole		B Max. O.A. Length		C Thread Length		D Wrenching Nut Thk.		E Wrenching Flats	
in.	mm.	in.	mm.				in.	mm.	in.	mm.	in.	mm.	in.	mm.	in.	mm.
.065	1,7	.220	5,6	M4536	M4537	RLTCG 1/4 Flex										
.115	2,9	.250	6,4	M4538	M4539	LTCG 1/4 Flex	.540	13,7	2.57	65,3	.45	11,4	.21	5,3	.63	16,0
.065	1,7	.187	4,7	M3474	M3475	RLTCG 3/8 Flex										
.105	2,7	.312	7,9	M3254	M3255	LTCG 3/8 Flex	.680	17,3	2.94	74,7	.49	12,4	.21	5,3	.83	21,1
.095	2,4	.260	6,6	M4540	M4541	*RLTCG 1/2 Flex										
.170	4,3	.450	11,4	M3251	M3252	*LTCG 1/2 Flex	.875	22,2	4.09	103,8	.61	15,5	.21	5,3	.98	24,9
.250	6,4	.485	12,3	M3462	M3463	*RLTCG 3/4 Flex										
.485	12,3	.709	18,0	M3239	M3242	*LTCG 3/4 Flex	1.040	26,4	5.15	130,8	.62	15,7	.25	6,4	1.30	33,0

Standard colors black and gray.

*UL Listed.



Quick Specs

Materials	6/6 Nylon w/Buna N Sealing Gland
Certifications	UL Listed Underwriters' Laboratories File E51579 SP Certified by Canadian Standard Association File LR93876C
Flammability Rating	94V-2
Temperature Rating	Static -40°F (-40°C) to 239°F (115°C) Dynamic -4°F (-20°C) to 212°F (100°C)
IP Rating	IP 68 (70 PSI, 5 BAR)