



Heyco® Solar Masthead™ II Cordgrips

Accommodates USE-2 12 AWG and 10 AWG wire

Skinned-over gland remains liquid tight, independent of the number of wires used

- Skinned-over glands in the Solar Masthead II Cordgrips offer flexibility to use from 1 to 13 of the available holes while still providing a liquid tight seal around the wire.
- Designed for solar rooftop installations.
- Provides a watertight seal for PV module output leads to inverters.
- Secures input PV leads from solar panel array strings to fuse holder hookup within solar combiner boxes.
- Eliminates the need for combiner box in residential rooftop solar applications when appropriate threaded adaptor is used.
- Generous wrenching flats for ease of assembly.
- No disassembly required for installation.
- UV resistant nylon construction with TPE or Buna N Sealing Gland resists salt water, weak acids, gasoline, alcohol, oil, grease, and common solvents.
- Contact Heyco for other sizes and gland configurations.
- Patent Pending

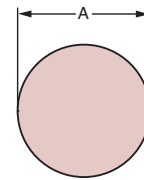
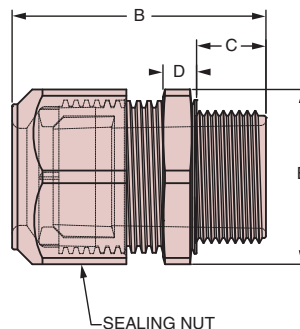
PART NO.	DESC.	GLAND CONFIGURATIONS	PART DIMENSIONS									
			A Clearance Hole		B Max O.A. Length		C Thread Length		D Wrenching Nut Thk.		E Wrenching Flats	
Black			in.	mm.	in.	mm.	in.	mm.	in.	mm.	in.	mm.
M8437GBK-SM	SMCG 1	9 - 5,5mm holes	1.33	33,7	2.41	61,2	.76	19,3	.30	7,6	1.73	43,9
M4524GBM-SM	SMCG 1-1/4	13 - 5,5mm holes	1.68	42,7	2.69	68,3	.78	19,8	.30	7,6	2.05	52,1



Heyco® Solar Masthead™ Cordgrips

Accommodates XHHW-2 12 AWG and 10 AWG wire

PART NO.	DESCRIPTION	GLAND CONFIGURATIONS	PART DIMENSIONS									
			A Clearance Hole		B Max O.A. Length		C Thread Length		D Wrenching Nut Thk.		E Wrenching Flats	
Black			in.	mm.	in.	mm.	in.	mm.	in.	mm.	in.	mm.
M8437GBF	LTCG 1	9 - 4,5 mm holes	1.33	33,7	2.41	61,2	.76	19,3	.30	7,6	1.73	43,9
M4524GBG	LTCG 1-1/4	13 - 4,5 mm holes	1.68	42,7	2.69	68,3	.78	19,8	.30	7,6	2.05	52,1



SUGGESTED CLEARANCE HOLE FOR NONTHREADED MOUNTING

Quick Specs

Material	6/6 Nylon with TPE or Buna N Sealing Glands
Flammability Rating	94-V2
Temperature Rating	-22°F (-30°C) to 212°F (100°C)
IP Rating	IP 68