



Heyco® Euro Strain Relief Bushings

USR Series—US Patent No. 5,052,643 Foreign Patents

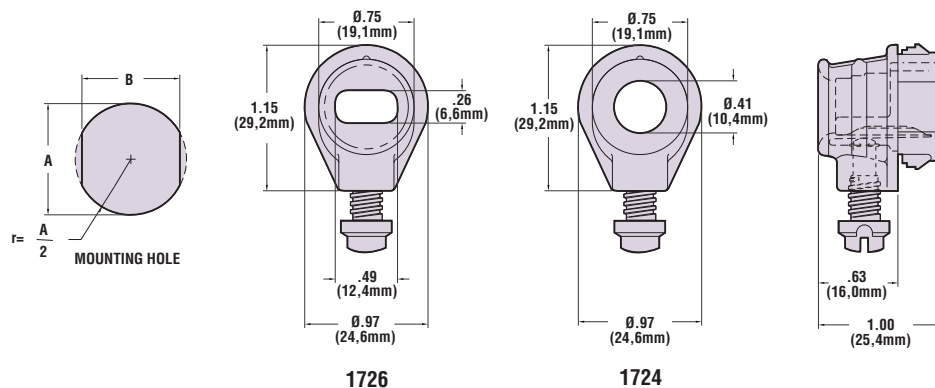
For European Requirements

Designed to meet those requirements wherein the Strain Relief device must remain attached to the panel during cable removal or replacement.

- Captive screw cannot be removed from body during cable removal or replacement. (The screw forces the locking flap against the cable.)
- Reinforcing ribs provide extra strength.
- Nylon USR-400 series parts may help you comply with IEC Publication #335, CEE #10 and #11; VDE #0720, #0730, and others.
- Protects your cable against forces of pull, push, twist, and flex; prevents use of larger-than-intended cord diameter.
- Easy panel installation: fingertip pressure locks bushing into .875" (22,2 mm) holes with panel thickness up to .125" (3,2 mm).
- No need for separate cord guard. The bushing cord exit features a bell-mouth contour, with radius 1-1/2 times the exit hole diameter.
- USR-40 uses captive metal screw and USR-400/401 uses captive acetyl screw.

Cross Section	WILL FIT THESE CABLES		PANEL DIMENSIONS						PART NO.	DESCRIPTION
	Approximate Size		A		B		Maximum Panel Thickness			
	in.	mm.	Mounting Hole Dia. in.	mm.	To Prevent Rotation in.	mm.	in.	mm.		
Round or Flat	up to .400	up to 10,2	.875	22,2	.770	19,6	.125	3,2	1724	USR-400
Flat	up to .250 x .400	6,4 x 10,2	.875	22,2	.770	19,6	.125	3,2	1726	USR-401
Round or Flat (SPT Type)	up to .400	up to 10,2	.875	22,2	.770	19,6	.125	3,2	*1730	USR-40

Standard color black. Consult Heyco for white and other colors.



Quick Specs

Material	6/6 Nylon
Certifications	<ul style="list-style-type: none"> UL Recognized File E15331 for round, flat (SPT Type Cables) Listed under Underwriters' Laboratories File E103540 CSA Certified by the Canadian Standards association File LR81067
Flammability Rating	94V-2
Material Temperature Index	257°F (125°C)—Maximum temperature on part not to exceed 221°F (105°C)