



# Heyco® Zinc Die-Cast Box Connectors

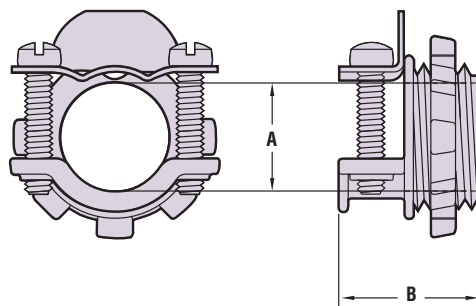
## Clamp-Type Connector

**Part No. 3043** (751) commonly known as a "Romex Connector".

- For single or multiple flexible cord applications, first determine cord diameter, then refer to the "A" columns in the tabular chart.
- Listed under Underwriters' Laboratories File E103540.
- Certified by Canadian Standards Association File LR18130.

TRADE SIZE	NOMINAL MOUNTING HOLE DIAMETER		WILL FIT THESE CABLES*			PART NO.	DESCRIPTION	PART DIMENSIONS					
	in.	mm.	Flexible Metallic Conduit	Armored **	Non-Metallic Sheathed			A Minimum Wire		A Maximum Wire		B Overall Length	
								in.	mm.	in.	mm.	in.	mm.
3/8**	.875	22,2	—	14/2, 14/3, 12/2, 12/3, 10/2, 10/3	14/2, 14/3, 12/2, 12/3, 10/2, 10/3	<b>3043</b>	751	.18	4,6	.64	16,3	.81	20,6

\*Gauge/Conductors, except FMC.  
\*\*1/2" K.O.



## 90° Angle Connectors

**Part Nos. 3030** (561), and **3031** (563) are also UL Listed for flexible cords.

- To specify the correct fitting for a flexible cord, first determine cord diameter, then refer to the "A" columns in the tabular chart.
- Certified by Canadian Standards Association File LR18130.

TRADE SIZE	NOMINAL MOUNTING HOLE DIAMETER		WILL FIT THESE CABLES*			PART NO.	DESCRIPTION	PART DIMENSIONS					
	in.	mm.	Flexible Metallic Conduit	Armored **	Non-Metallic Sheathed			A Minimum Wire		A Maximum Wire		B Overall Length	
								in.	mm.	in.	mm.	in.	mm.
3/8**	.875	22,2	3/8	14/2, 14/3, 14/4, 12/2, 12/3, 12/4, 10/2, 8/1, 6/1, 4/1	—	<b>3030</b>	561	.40	10,2	.63	16,0	1.81	46,0
1/2	.875	22,2	1/2	8/2	—	<b>3031</b>	563	.65	16,5	.97	24,6	2.18	55,4

\*Gauge/Conductors, except FMC.  
\*\*1/2" K.O.

