

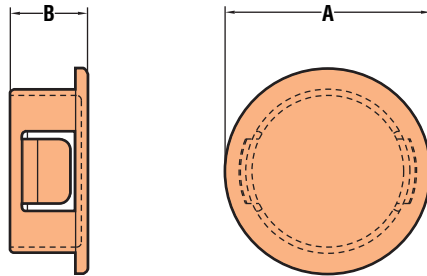


# Heyco® Pry Out Plugs

PANEL DIMENSIONS				PART NO.		DESCRIPTION	PART DIMENSIONS			
Maximum Thickness		Mounting Hole Diameter		Black	White		A Head Diameter		B Overall Height	
in.	mm.	in.	mm.			in.	mm.	in.	mm.	
.156	4,0	.250	6,4	<b>3053</b>	<b>3054</b>	POP-250	.421	10,7	.328	8,3
.172	4,4	.312	7,9	<b>3056</b>	<b>3057</b>	POP-312	.510	12,9	.406	10,3
.172	4,4	.375	9,5	<b>3059</b>	<b>3060</b>	POP-375	.578	14,7	.406	10,3
.172	4,4	.437	11,1	<b>3062</b>	<b>3063</b>	POP-437	.609	15,5	.406	10,3
.172	4,4	.500	12,7	<b>3065</b>	<b>3066</b>	POP-500	.671	17,0	.406	10,3
.172	4,4	.562	14,3	<b>3068</b>	<b>3069</b>	POP-562	.734	18,6	.406	10,3
.172	4,4	.625	15,9	<b>3071</b>	<b>3072</b>	POP-625	.796	20,2	.406	10,3
.172	4,4	.687	17,4	<b>3074</b>	<b>3075</b>	POP-687	.890	22,6	.406	10,3
.172	4,4	.750	19,0	<b>3077</b>	<b>3078</b>	POP-750	.968	24,6	.406	10,3
.172	4,4	.812	20,6	<b>3080</b>	<b>3081</b>	POP-812	1.031	26,2	.406	10,3
.172	4,4	.875	22,2	<b>3083</b>	<b>3084</b>	POP-875	1.078	27,4	.406	10,3
.172	4,4	1.000	25,4	<b>3086</b>	<b>3087</b>	POP-1000	1.218	30,9	.406	10,3
.172	4,4	1.093	27,8	<b>3089</b>	<b>3090</b>	POP-1093	1.296	32,9	.406	10,3
.172	4,4	1.187	30,1	<b>3092</b>	<b>3093</b>	POP-1187	1.406	35,7	.406	10,3
.172	4,4	1.250	31,8	<b>3095</b>	<b>3096</b>	POP-1250	1.453	36,9	.406	10,3
.172	4,4	1.375	34,9	<b>3098</b>	<b>3099</b>	POP-1375	1.578	40,1	.453	11,5
.250	6,4	1.500	38,1	<b>3124</b>	<b>3125</b>	POP-1500	1.718	43,6	.453	11,5
.250	6,4	1.750	44,5	<b>2973</b>	<b>2974</b>	POP-1750	1.980	50,3	.475	12,1
.250	6,4	2.000	50,8	<b>2798</b>	<b>2799</b>	POP-2000	2.218	56,4	.483	12,3
.250	6,4	2.500	63,5	<b>2975</b>	<b>2976</b>	POP-2.5	2.691	68,4	.741	18,8

- “POP” in closures for pipe and tubing ends.
- “POP” out removal for reusing the hole or for access.
- Bumper protection.
- Flat, matte finish head.
- Multiple sizes for use in .250” (6,4 mm) to 2.00” (50,8 mm) diameter holes for panel thickness up to .250” (6,4 mm).

Standard color black. Consult Heyco for other colors.  
Approximate Head Thickness: .063” (1,6 mm).



NEW!

NEW!

NEW!

Material

6/6 Nylon

Certifications

Recognized under the Component Program of Underwriters' Laboratories, File E51579

Certified by the Canadian Standards Association, File LR8919

Flammability Rating

94V-2

Material Temperature Index

257°F (125°C)–Maximum temperature on part not to exceed 221°F (105°C)

Quick Specs

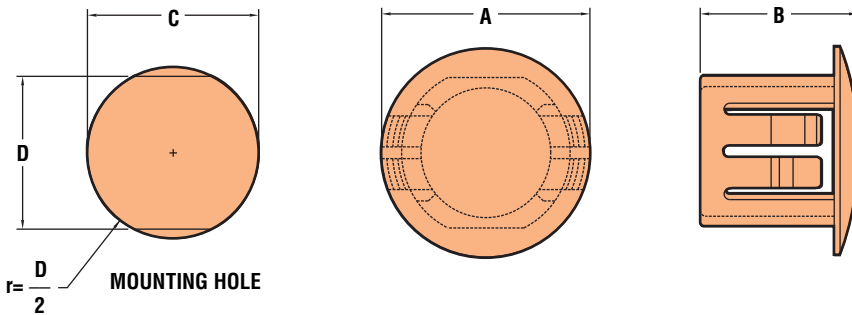


# Heyco® Hole Plugs for RDD Holes & Rectangular Lockit

Maximum Thickness	PANEL DIMENSIONS				PART NO.		DESCRIPTION	PART DIMENSIONS				
	C		D		Black	White		A		B		
	Mounting Hole Diameter		To Prevent Rotation					Head Diameter	Overall Height			
in.	mm.	in.	mm.	in.	mm.			in.	mm.	in.	mm.	
.125	3,2	.437	11,1	.390	9,9	<b>2488</b>	<b>2489</b>	DD-437-390	.531	13,5	.406	10,3
.125	3,2	.500	12,7	.445	11,3	<b>2491</b>	<b>2492</b>	DD-500-445	.554	14,7	.406	10,3
.125	3,2	.562	14,3	.530	13,5	<b>2494</b>	<b>2495</b>	DD-562-530	.656	16,7	.406	10,3
.125	3,2	.625	15,9	.550	14,0	<b>2497</b>	<b>2498</b>	DD-625-550	.718	18,2	.406	10,3
.125	3,2	.750	19,1	.625	15,9	<b>2503</b>	<b>2504</b>	DD-750-625	.921	23,4	.406	10,3
.125	3,2	.875	22,2	.770	19,5	<b>2509</b>	<b>2510</b>	DD-875-770	1.016	25,8	.453	11,5

- Closes unwanted strain relief mounting holes or other double faced or Double "D" holes punched or molded with two opposing flats.
- Convex, matte finish head tapers to a thin edge.
- Locks firmly in panels up to .125" (3,2 mm) thick.
- Quick and easy installation.

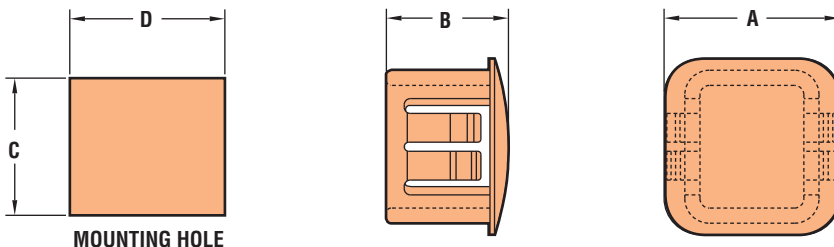
Standard color black. Consult Heyco for other colors.  
 Locking fingers in fractional increments up to the maximum panel thickness.  
 Approximate Head Thickness: .063" (1,6 mm). Thickness may vary.



## Heyco® Rectangular Plugs

Maximum Thickness	PANEL DIMENSIONS				PART NO.		DESCRIPTION	PART DIMENSIONS				
	D		C		Black	White		A		B		
	Long Axis		Short Axis					Head Diameter	Overall Height			
in.	mm.	in.	mm.	in.	mm.			in.	mm.	in.	mm.	
.099	2,5	.512	13,0	.453	11,5	<b>1890</b>	<b>1891</b>	RP-115-130	.580	14,7	.403	10,2
.157	4,0	.690	17,5	.690	17,5	<b>1892</b>		RP-175-175	.830	21,1	.467	11,9

Standard color black. Consult Heyco for other colors.



Material	6/6 Nylon
Certifications	Recognized under the Component Program of Underwriters' Laboratories File E51579 Certified by the Canadian Standards Association File LR8919
Flammability Rating	94V-2
Material Temperature Index	257°F (125°C)–Maximum temperature on part not to exceed 221°F (105°C)

*Quick Specs*