

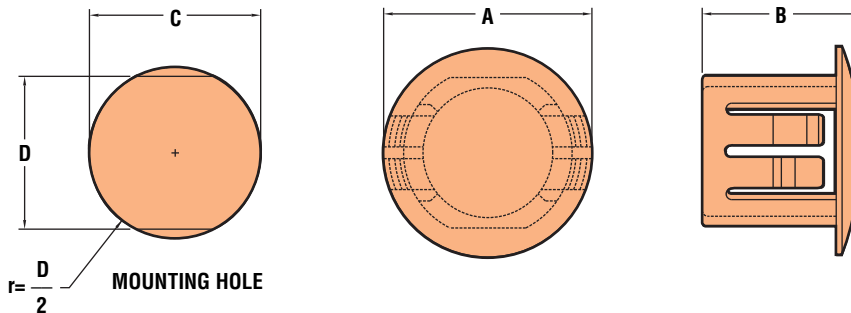


# Heyco® Hole Plugs for RDD Holes & Rectangular Lockit

Maximum Thickness	PANEL DIMENSIONS				D		PART NO.		DESCRIPTION	PART DIMENSIONS			
	C		Mounting Hole Diameter		To Prevent Rotation		Black	White		A		B	
in. mm.	in.	mm.	in.	mm.	in.	mm.			in.	mm.	in.	mm.	
.125	3,2	.437	11,1	.390	9,9	<b>2488</b>	<b>2489</b>	DD-437-390	.531	13,5	.406	10,3	
.125	3,2	.500	12,7	.445	11,3	<b>2491</b>	<b>2492</b>	DD-500-445	.554	14,7	.406	10,3	
.125	3,2	.562	14,3	.530	13,5	<b>2494</b>	<b>2495</b>	DD-562-530	.656	16,7	.406	10,3	
.125	3,2	.625	15,9	.550	14,0	<b>2497</b>	<b>2498</b>	DD-625-550	.718	18,2	.406	10,3	
.125	3,2	.750	19,1	.625	15,9	<b>2503</b>	<b>2504</b>	DD-750-625	.921	23,4	.406	10,3	
.125	3,2	.875	22,2	.770	19,5	<b>2509</b>	<b>2510</b>	DD-875-770	1.016	25,8	.453	11,5	

- Closes unwanted strain relief mounting holes or other double faced or Double "D" holes punched or molded with two opposing flats.
- Convex, matte finish head tapers to a thin edge.
- Locks firmly in panels up to .125" (3,2 mm) thick.
- Quick and easy installation.

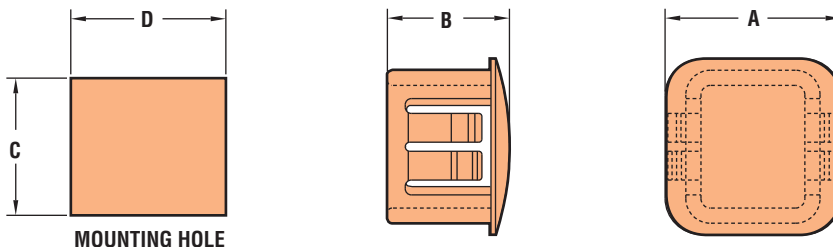
Standard color black. Consult Heyco for other colors.  
Locking fingers in fractional increments up to the maximum panel thickness.  
Approximate Head Thickness: .063" (1,6 mm). Thickness may vary.



## Heyco® Rectangular Plugs

Maximum Thickness	PANEL DIMENSIONS				PART NO.		DESCRIPTION	PART DIMENSIONS				
	D		C		Black	White		A		B		
in. mm.	in.	mm.	in.	mm.			in.	mm.	in.	mm.		
.099	2,5	.512	13,0	.453	11,5	<b>1890</b>	<b>1891</b>	RP-115-130	.580	14,7	.403	10,2
.157	4,0	.690	17,5	.690	17,5	<b>1892</b>		RP-175-175	.830	21,1	.467	11,9

Standard color black. Consult Heyco for other colors.



Material	6/6 Nylon
Certifications	Recognized under the Component Program of Underwriters' Laboratories File E51579 Certified by the Canadian Standards Association File LR8919
Flammability Rating	94V-2
Material Temperature Index	257°F (125°C)–Maximum temperature on part not to exceed 221°F (105°C)

*Quick  
Specs*