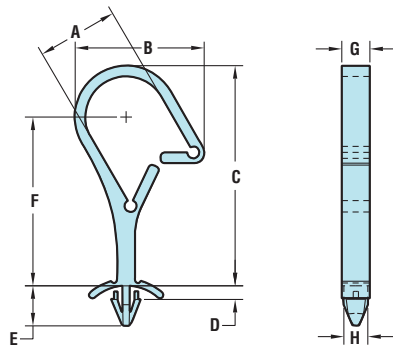




# Heyco® "P" Style Wire and Cable Holder

PART NO.	DESCRIPTION	PART DIMENSIONS															
		A		B		C		D		E		F		G		H	
Natural		in.	mm.	in.	mm.	in.	mm.	in.	mm.	in.	mm.	in.	mm.	in.	mm.	in.	mm.
3598	CH RJ-625	.62	15,7	1.00	25,4	1.698	42,9	.105	2,7	.31	7,8	1.30	33,0	.22	5,6	.19	4,8

Standard color natural.



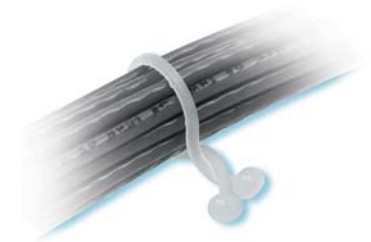
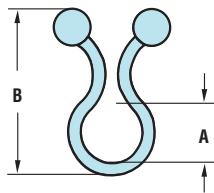
- Push mount design for fast installation.
- Maximum panel thickness is .090" (2,3 mm).
- Mounting hole diameter is .187" (4,8 mm).

# Heyco® Lockit™ Loops

More Positive Lock!

PART NO. Natural	DESCRIPTION	PART DIMENSIONS			
		A		B	
		in.	mm.	in.	mm.
3793	LL-250	.250	6,4	0.835	21,2
3795	LL-375	.375	9,5	1.020	25,9
3797	LL-500	.500	12,7	1.195	30,4
3799	LL-750	.750	19,1	1.450	36,8

Standard color natural.



- Locking ends "twist" into place with fingertip pressure.
- Releasable and reusable loops for easy wire bundling.
- Smooth, radiused edges ensure that Lockit Clips won't cut into cable's insulation—or the installer's hand.
- Barreled ends for greater holding power.

Material	6/6 Nylon
Flammability Rating	94V-2

Quick Specs