



# Heyco® Barrier Terminal Blocks

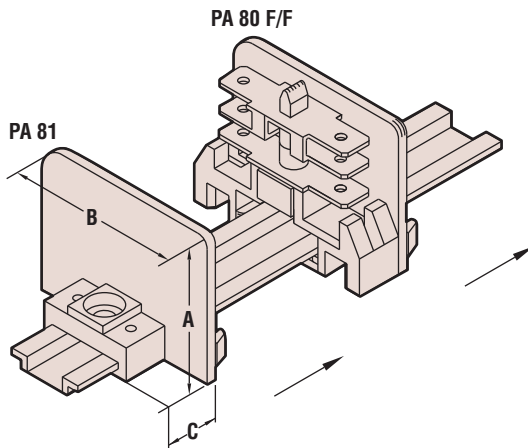
## PA 80 Series

WIRE SIZE AWG	SIZE mm <sup>2</sup>	AMPS		POLES*	PART NO.	DESCRIPTION	TERMINAL TAB CONFIGURATION	PART DIMENSIONS					
		North America	Europe					A		B		C	
					Natural			in.	mm.	in.	mm.	in.	mm.
12-22	4-1	20	16	1-100*	1757	PA 80 F/F	3 tabs to 3 tabs	1.142	29,0	1.496	38,0	.433	11,0
12-22	4-1	20	16	1-100*	1758	PA 81	end plate	1.142	29,0	1.496	38,0	.433	11,0

Standard color natural.

\*Poles may be ganged as required, 1 each P/N 1757 for each pole connected.

- Single pole barrier terminal block, whose inserts are ultrasonically welded into position.
- Each pole snap-fits into the next, enabling custom number of poles to suit your application.
- End plate PA 81 is required to effect an end barrier.
- Suitable for chassis or 15 DIN 46277 rail mounting.
- All types are rated at 600 volts (380 volts in Europe).
- Made of 6/6 Nylon and brass.



Material	6/6 Nylon and brass
Flamability Rating	94V-0
Certifications	Listed Underwriters' Laboratories File E103541 Certified by the Canadian Standards Association, File AP88539
Material Temperature Index	221°F (105°C)

*Quick  
Specs*