

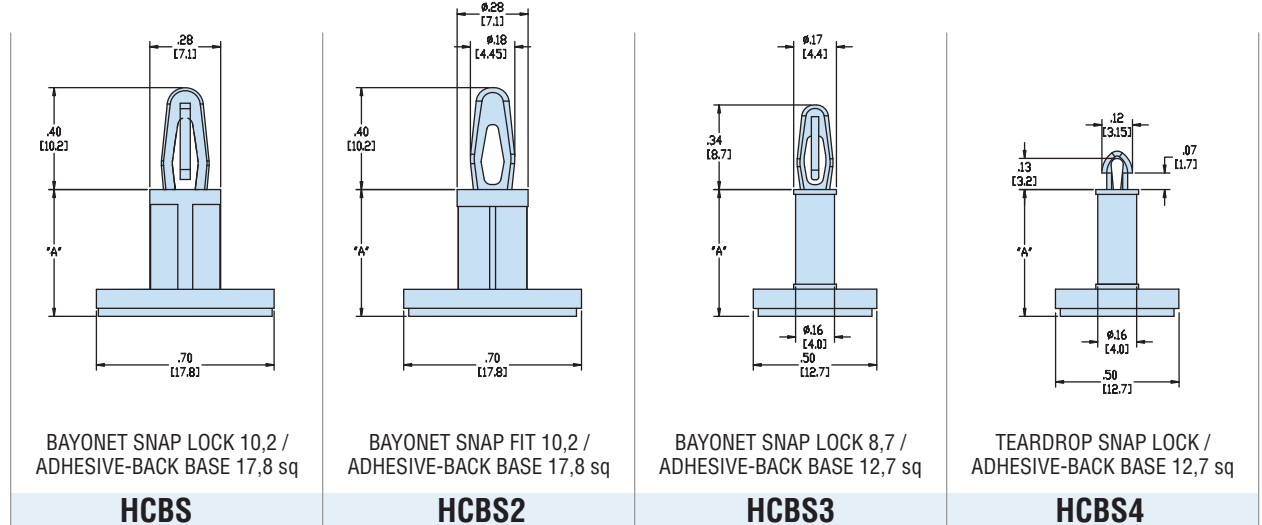
"Stay Connected" with



HEYware Products

a PennEngineering® Company

Heyco® Nylon PCB Supports - Adhesive-Back Mount



PCB	Maximum Thickness		Mounting Hole Diameter		PCB	Maximum Thickness		Mounting Hole Diameter		PCB	Maximum Thickness		Mounting Hole Diameter		PCB	Maximum Thickness		Mounting Hole Diameter	
	in.	mm.	in.	mm.		in.	mm.	in.	mm.		in.	mm.	in.	mm.		in.	mm.	in.	mm.
	.062	1,6	.157	4,0		.062	1,6	.157	4,0		.062	1,6	.125	3,2		.062	1,6	.098	2,5
Chassis	adhesive-back mount					adhesive-back mount					adhesive-back mount					adhesive-back mount			
A	PART NO.	DESCRIPTION	PART NO.	DESCRIPTION	PART NO.	DESCRIPTION	PART NO.	DESCRIPTION	PART NO.	DESCRIPTION	PART NO.	DESCRIPTION	PART NO.	DESCRIPTION	PART NO.	DESCRIPTION	PART NO.	DESCRIPTION	
in.	Natural		Natural		Natural		Natural		Natural		Natural		Natural		Natural		Natural		
mm.																			
.187	10772	HCBS-03-AB	10784	HCBS2-03-AB	10794	HCBS3-03-AB	10803	HCBS4-03-AB											
.250	10773	HCBS-04-AB	10785	HCBS2-04-AB	10795	HCBS3-04-AB	10804	HCBS4-04-AB											
.312					10796	HCBS3-05-AB													
.375	10774	HCBS-06-AB	10786	HCBS2-06-AB	10797	HCBS3-06-AB	10805	HCBS4-06-AB											
.437					10798	HCBS3-07-AB	10806	HCBS4-07-AB											
.500	10775	HCBS-08-AB	10787	HCBS2-08-AB	10799	HCBS3-08-AB	10807	HCBS4-08-AB											
.562					10800	HCBS3-09-AB													
.625	10776	HCBS-10-AB	10788	HCBS2-10-AB	10801	HCBS3-10-AB	10808	HCBS4-10-AB											
.750	10777	HCBS-12-AB	10789	HCBS2-12-AB															
.875	10778	HCBS-14-AB	10790	HCBS2-14-AB															
1.000	10779	HCBS-16-AB	10791	HCBS2-16-AB															
1.125	10780	HCBS-18-AB	10792	HCBS2-18-AB															

Standard color natural.

Quick Specs

Material Nylon 6/6 with PE foam tape
 Flammability Rating 94V-2
 Temperature Range -40°F (-40°C) to 185°F (85°C)