

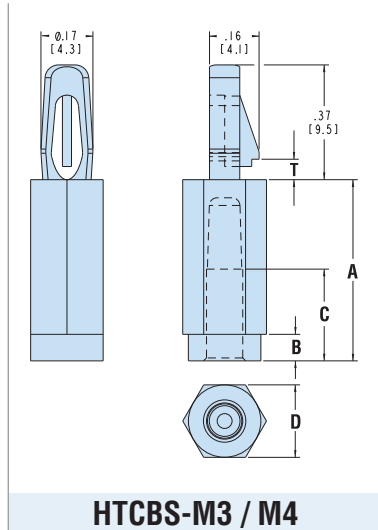
“Stay Connected” with



HEYware Products

a PennEngineering® Company

Heyco® Nylon PCB Supports - Screw and Lock



HTCBS-M3 / M4

	Mounting Hole Diameter	
	in.	mm.
PCB	.157	4,0
Chassis	Threaded M3	

PART NO.	DESCRIPTION	PART DIMENSIONS									
		Height A		Shoulder Height B		Thread Depth C		PCB Panel Thickness T		Hex Flat to Flat D	
Black		in.	mm.	in.	mm.	in.	mm.	in.	mm.	in.	mm.
10659	HTCBS-M3-6-8	0.31	8	0.06	1,5	0.24	6	0.06	1,5	0.2	6
10660	HTCBS-M3-6-10	0.39	10			0.31	8				
10661	HTCBS-M3-6-15	0.59	15	0.09	2,2	0.30	7,6	0.07	1,8	0.3	8
10662	HTCBS-M3-6-20	0.79	20			0.39	10				
10664	HTCBS-M3-8-8	0.31	8	0.06	1,5	0.24	6	0.06	1,5	0.3	8
10665	HTCBS-M3-8-23	0.91	23	0.18	4,6	0.39	10				
Chassis	Threaded M4										
10667	HTCBS-M4-8-10	0.39	10	0.06	1,5	0.31	8	0.06	1,5	0.3	8
10668	HTCBS-M4-8-12	0.47	12			0.39	10	0.07	1,8		
10669	HTCBS-M4-8-15	0.59	15	0.20	5	0.31	8	0.06	1,5	0.3	8
10670	HTCBS-M4-8-30-16	1.18	30			0.39	10	0.07	1,8		
10671	HTCBS-M4-8-30-17			0.08	2						
10672	HTCBS-M4-8-30-21			0.08	2						
10673	HTCBS-M4-8-35	1.38	35	0.50	12,7	0.50	12,7	0.06	1,5	0.3	8
10674	HTCBS-M4-8-70	2.76	70								

Quick Specs

Material: Nylon 6/6
 Flammability Rating: 94V-2
 Temperature Range: -40°F (-40°C) to 185°F (85°C)