



## Heyco® Nytye® Mounting Platforms

### Flat Platforms – Adhesive Back Mount

- Multiple sizes, strengths, and mounting options anchor Nytyes® securely.
- Five Types:
  - 1) Flat - Adhesive-Back and Screw Mounts
  - 2) Saddle - Screw Mount only
  - 3) Push Mount - Arrowhead and Blind Mounts
  - 4) Snap Over Bolt
  - 5) Stainless Steel Edge Clip “SunRunner Series”
- Rubber based adhesive effective up to 158°F (70°C).
- Acrylic based adhesive effective up to 167°F (75°C).
- Apply Adhesive-Backed parts to a clean, dry surface.
- Parts are not intended for direct exposure to harsh environments (extreme heat/sunlight, humidity, etc.) and better suited for use inside an enclosure in these types of environments.

	MAX. TENSILE STRENGTH		ADHESIVE	INSERT POINTS	RELEASE TAB?	PART NO.	DESCRIPTION	PART DIMENSIONS					
	Lbs.	N						A		B		C	
						Natural		in.	mm.	in.	mm.	in.	mm.
<b>NEW!</b>	3	13	Rubber Acrylic	4	yes	<b>3591</b> <b>3591A</b>	MP-050x050-ABR MP-050x050-ABA	.50	12,7	.50	12,7	.17	4,3
<b>NEW!</b>	15	67	Rubber Acrylic	4	yes	<b>3595</b> <b>3595A</b>	MP-075x075-ABR MP-075x075-ABA	.75	19,1	.75	19,1	.28	7,0
<b>NEW!</b>	20	89	Rubber Acrylic	4	yes	<b>3594</b> <b>3594A</b>	MP-080x080-ABR MP-080x080-ABA	.80	20,3	.80	20,3	.19	4,8
<b>NEW!</b>	20	89	Rubber Acrylic	4	yes	<b>3599</b> <b>3599A</b>	MP-100x100-ABR MP-100x100-ABA	1.00	25,4	1.00	25,4	.32	8,1
	50	222	Rubber	2	yes	<b>3590*</b>	MP-110x110-ABR	1.10	27,9	1.10	27,9	.24	6,0
			Rubber	4	yes	<b>3593*</b>	MP-115x115-ABR	1.15	29,2	1.15	29,2	.26	6,6

Standard color natural. \*These adhesive-backed parts are also screw mountable.

### Flat Platforms – Screw Mount

	MAX. TENSILE STRENGTH		SCREW SIZE		INSERT POINTS	PART NO.	DESCRIPTION	PART DIMENSIONS					
	Lbs.	N	in.	mm.				A		B		C	
						Natural		in.	mm.	in.	mm.	in.	mm.
	24	105	#6	3,5	4	<b>4264</b>	MP-075x075-S6	.75	19,1	.75	19,1	.24	6,0
	50	222	#8	4,0	4	<b>4265</b>	MP-038x075-S8	.38	9,5	.75	19,1	.20	5,0
	38	170			2	<b>3589</b>	MP-100x100-S8	1.00	25,4	1.00	25,4	.28	7,1
<b>NEW!</b>	15	68			2	<b>3580</b>	MP-110x110-S8	1.10	27,9	1.10	27,9	.20	5,1
<b>NEW!</b>	16	70	#6	3,5	4	<b>3581</b>	MP-115x115-S6	1.15	29,2	1.15	29,2	.22	5,6

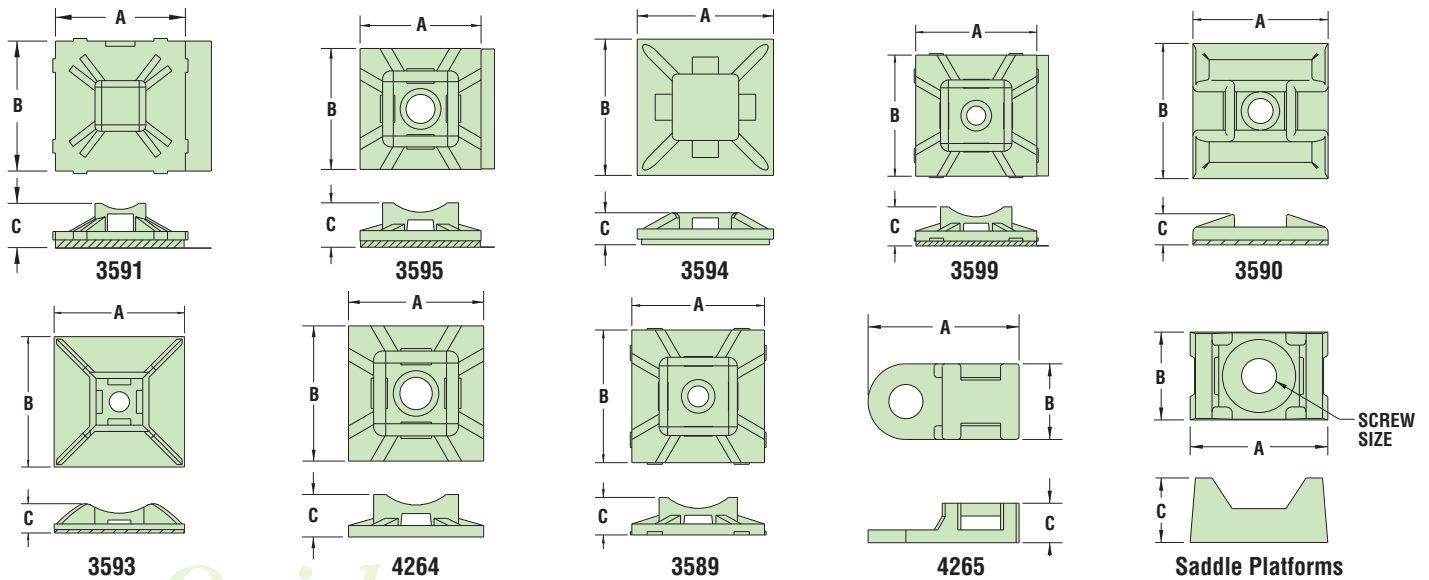
Standard color natural.

### Saddle Platforms – Screw Mount

	MAX. TENSILE STRENGTH		SCREW SIZE		INSERT POINTS	PART NO.	DESCRIPTION	PART DIMENSIONS					
	Lbs.	N	in.	mm.				A		B		C	
						Natural		in.	mm.	in.	mm.	in.	mm.
	18	80	#4	3,0	2	<b>4269</b>	MP S-4	.51	13,0	.33	8,3	.24	6,1
	50	222	#8	4,0	2	<b>3759</b>	MP S-8	.60	15,2	.38	9,7	.28	7,0
	120	534	#10	5,0	2	<b>3753</b>	MP S-10	.87	22,2	.62	15,7	.39	9,9

Standard color natural.

Tensile	Width	
	Lbs.	mm.
18	.10	2,5
40	.14	3,6
50	.19	4,8
120	.30	7,6



Quick Specs

Material	Nylon 6/6
Certifications	cULus Recognized under the Component Program of Underwriters' Laboratories File E54523 (Adhesive-Back Mount parts only)
Flammability Rating	94V-2
Temperature Range	-32°F (0°C) to 158°F (70°C)