

“Stay Connected” with



Liquid Tight Cordgrips

a PennEngineering® Company

**NO O-RING
REQUIRED!**

Heyco®-Tite Liquid Tight Cordgrips

Straight-Thru, Metric Hubs with Integral Sealing Ring

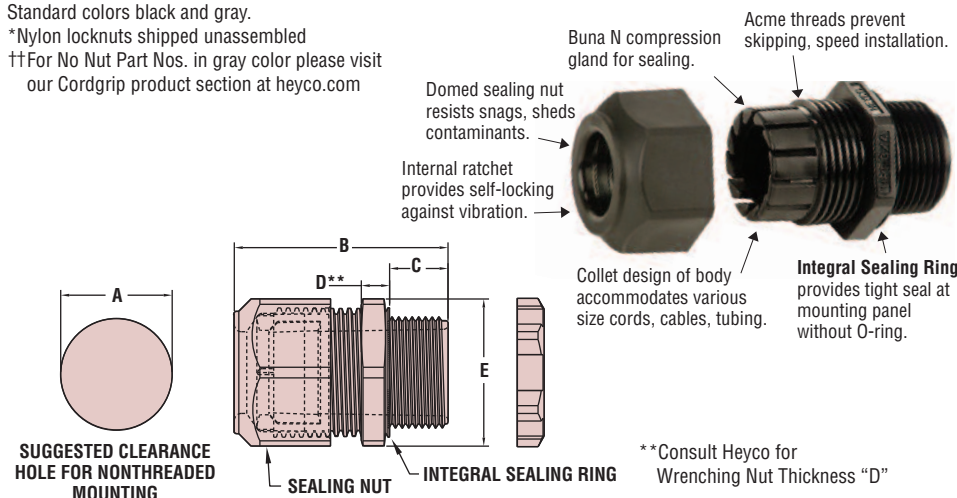
The Ultimate in Liquid Tight Strain Relief Protection

CABLE DIA. RANGE				PART NO.			DESCRIPTION	UL or IEC	PART DIMENSIONS							
Minimum	Maximum		Including Nylon Nut* Black	Gray	No Nut Black ††	A Clearance Hole Dia.			B Max. O.A. Length	C Thread Length		E Wrenching Nut Flats				
in.	mm.	in.					mm.	in.		mm.	in.	mm.	in.	mm.	in.	mm.
.065	1,7	.210	5,3	M4330	M4331	M4362	RLTCG M12	UL	.473	12,0	1,16	29,5	.32	8,1	.63	16,0
.115	2,9	.250	6,4	M4332	M4333	M4364	LTCG M12									
.065	1,7	.230	5,8	M4334	M4335	M4366	RLTCG M16	UL	.630	16,0	1,25	31,8	.32	8,1	.82	20,8
.105	2,7	.315	8,0	M4336	M4337	M4368	LTCG M16									
.095	2,4	.290	7,4	M4338	M4339	M4370	RLTCG M20	UL	.787	20,0	1,53	38,9	.41	10,4	.98	24,9
.170	4,3	.450	11,4	M4340	M4341	M4372	LTCG M20									
.180	4,6	.400	10,2	M3196	M3197	M4358	RLTCG LL M20	UL	.787	20,0	1,65	41,9	.41	10,4	1,06	26,9
.260	6,6	.545	13,8	M3198	M3199	M4360	LTCG LL M20									
.250	6,4	.490	12,4	M4342	M4343	M4374	RLTCG M25	UL	.985	25,0	1,89	48,0	.52	13,2	1,30	33,0
.435	11,0	.705	17,9	M4344	M4345	M4376	LTCG M25									
.490	12,4	.785	19,9	M4346	M4347	M4378	RLTCG M32	UL	1,260	32,0	2,23	56,6	.57	14,5	1,73	43,9
.590	15,0	1,000	25,4	M4348	M4349	M4380	LTCG M32									
.787	20,0	1,020	25,9	M4350	M4351	M4382	RLTCG M40	UL	1,575	40,0	2,39	60,7	.47	11,9	2,05	52,7
.875	22,2	1,260	32,0	M4352	M4353	M4384	LTCG M40									
1,000	25,4	1,240	31,5	M3302	M3303	-	RLTCG M50	UL	1,970	50,0	2,50	63,5	.48	12,2	2,46	62,5
1,230	31,2	1,560	39,6	M3300	M3301	-	LTCG M50									
1,160	29,5	1,350	34,3	M3306	M3307	-	RLTCG M63	UL	2,480	63,0	2,63	66,7	.50	12,7	2,73	69,3
1,450	36,8	1,730	43,9	M3304	M3305	-	LTCG M63									

Standard colors black and gray.

*Nylon locknuts shipped unassembled

††For No Nut Part Nos. in gray color please visit our Cordgrip product section at heyco.com



**Consult Heyco for Wrenching Nut Thickness "D"

Material	Nylon 6/6 with Buna N or TPE Sealing Gland
Certifications	<ul style="list-style-type: none"> Listed under Underwriters' Laboratories File E51579 Recognized under the Component Program of Underwriters' Laboratories File E51579 Certified by Canadian Standards Association File 93876C Approved for NEMA 4, 4X, 6 and 6P Applications Marks License #40010390 Per EC Low Voltage Directive 73/23/EEC
Flammability Rating	94V-2
Temperature Range	Static -40°F (-40°C) to 239°F (115°C) Dynamic -4°F (-20°C) to 212°F (100°C)
IP Rating	IP 68 (70 PSI, 5 BAR)



- Integral Sealing Ring ensures a superior seal at the clearance or threaded mounting hole location, every time.
- Widest range of approved cable diameters. Cable ranges listed are for the maximum IP68 sealing range. Contact Heyco for UL approved 514B cable ranges.
- IP 68 rated.
- Approved for **NEMA 4, 4X, 6 and 6P** applications.
- Ratchet design of sealing nut assembly provides superior anti-vibration protection and ensures a firm grip on the cable.
- Acme threads on body prevent skipping and speed installation.
- All nylon construction with Buna N or TPE sealing gland resists salt water, weak acids, gasoline, alcohol, oil, grease, and common solvents. (This feature is not assessed by UL.)
- Multiple sizes for flexible cord diameters ranging from .065" (1,7 mm) to 1.730" (44,0 mm).
- We recommend using the cordgrip with the smallest maximum diameter that will fit your application.
- **Unassembled Nylon Locknuts INCLUDED.**
- For Heyco Liquid Tight Threaded Plugs, see page 3-51.
- Consult Heyco for cordgrips molded in other colors.

*Quick
Specs*