

“Stay Connected” with



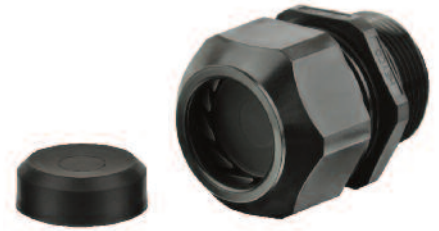
Liquid Tight Cordgrips

a PennEngineering® Company

Heyco® -Tite Tear-Away Liquid Tight Cordgrips

Straight-Thru, NPT Hubs with Integral Sealing Ring

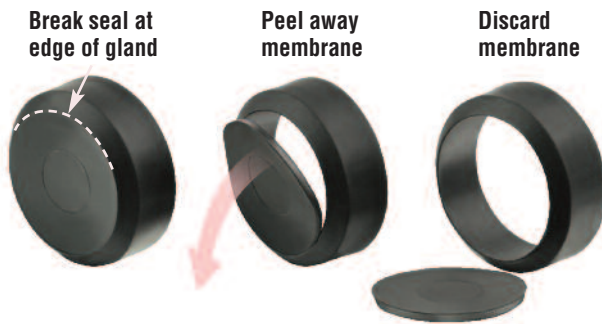
The Ultimate in Liquid Tight Strain Relief Protection



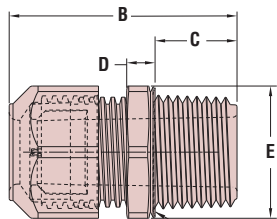
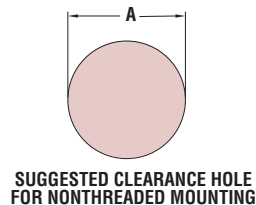
| CABLE DIA. RANGE | | | | PART NO. | | DESCRIPTION | PART DIMENSIONS | | | | | | | | | |
|------------------|------|---------|------|----------|----------|---------------------|------------------|---------------|--------------------|------|-----------|------|-----|------|------|------|
| Minimum | | Maximum | | Black | Gray | | A | B | C | D | | E | | | | |
| in. | mm. | in. | mm. | | | Clearance Hole Dia. | Max. O.A. Length | Thread Length | Wrenching Nut Thk. | | Flat Size | | | | | |
| | | | | | | in. | mm. | in. | mm. | in. | mm. | in. | mm. | | | |
| .170 | 4,3 | .450 | 11,4 | M3231-SM | M3232-SM | SMCG 1/2 | .875 | 22,2 | 1.70 | 43,2 | .61 | 15,5 | .21 | 5,3 | .98 | 24,9 |
| .260 | 6,6 | .545 | 13,8 | M3200-SM | M3201-SM | SMCG LL 1/2 | .875 | 22,2 | 1.68 | 42,7 | .45 | 11,4 | .25 | 6,4 | 1.06 | 26,9 |
| .436 | 11,0 | .705 | 17,9 | M3234-SM | M3235-SM | SMCG 3/4 | 1.109 | 28,2 | 2.00 | 50,8 | .62 | 15,7 | .25 | 6,4 | 1.30 | 33,0 |
| .590 | 15,0 | 1.000 | 25,4 | M8437-SM | M8438-SM | SMCG 1 | 1.375 | 34,9 | 2.41 | 61,2 | .76 | 19,3 | .30 | 7,6 | 1.73 | 43,9 |
| .875 | 22,2 | 1.260 | 32,0 | M4524-SM | M4525-SM | SMCG 1-1/4 | 1.680 | 42,7 | 2.69 | 68,3 | .77 | 19,6 | .31 | 7,9 | 2.05 | 52,1 |
| 1.230 | 31,2 | 1.560 | 39,6 | M3317-SM | M3318-SM | SMCG 1-1/2 | 1.920 | 48,8 | 2.81 | 71,4 | .77 | 19,6 | .36 | 9,1 | 2.46 | 62,5 |
| 1.450 | 36,8 | 1.730 | 43,9 | M3321-SM | M3322-SM | SMCG 2 | 2.400 | 61,0 | 2.93 | 74,4 | .79 | 20,1 | .42 | 10,7 | 2.73 | 69,3 |

Standard colors black and gray.

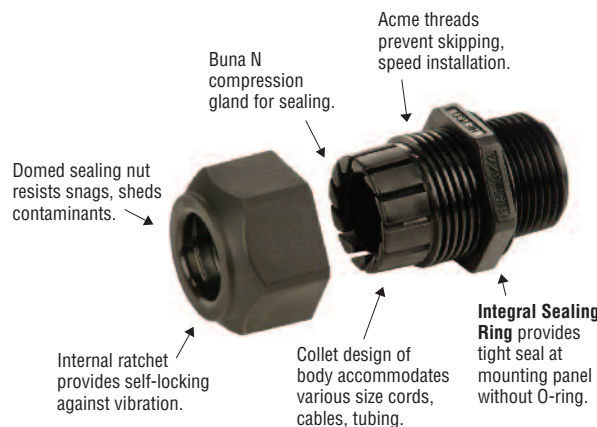
- The **New Tear-Away** Liquid Tight Cordgrips install as a plug to keep rain, insects and air contaminants outside of an enclosure that is waiting at field installation sites or even within a manufacturing setting for a prolonged period of time.
- **Note:** UL Certifications apply only when used as a cordgrip, not as a plug; When used as a plug, we meet IPx8 @ 2.6 PSI for 24 hrs, and IPx5.
- Units remain internally clean and moisture free until cable installation as a Heyco standard, and market-leading Cable Gland with full functionality that you have come to expect.
- Simply puncture the gland edge with a flat-head screwdriver and Tear-Away the ID for cable pass through like a standard Heyco Cable Gland.
- **Integral Sealing Ring** ensures a superior seal at the clearance or threaded mounting hole location.
- Approved for **NEMA 4, 4X, 6 and 6P applications** with use of nylon locknuts (sold separately).
- IP 68 rated.
- Cordgrips are made of nylon construction with TPE sealing glands that resist salt water, weak acids, gasoline, alcohol, oil, grease, and common solvents.
- Consult Heyco for Cordgrips molded in other colors.



Click here or scan for assembly instructions



INTEGRAL SEALING RING



| | |
|---------------------|--|
| Material | Nylon 6/6 with TPE Sealing Gland |
| Flammability Rating | 94V-2 Standard |
| Temperature Range | Static -40°F (-40°C) to 239°F (115°C) Dynamic -4°F (-20°C) to 212°F (100°C) |
| IP Rating | IP 68 (70 PSI, 5 BAR) (IPx8 @ 2.6 PSI for 24 hrs and IPx5, when used as plug) |

Quick Specs