

“Stay Connected” with



Liquid Tight Cordgrips

a PennEngineering® Company



Heyco® -Tite “Maximized” Liquid Tight Cordgrips

Straight-Thru, NPT Hubs with Integral Sealing Ring

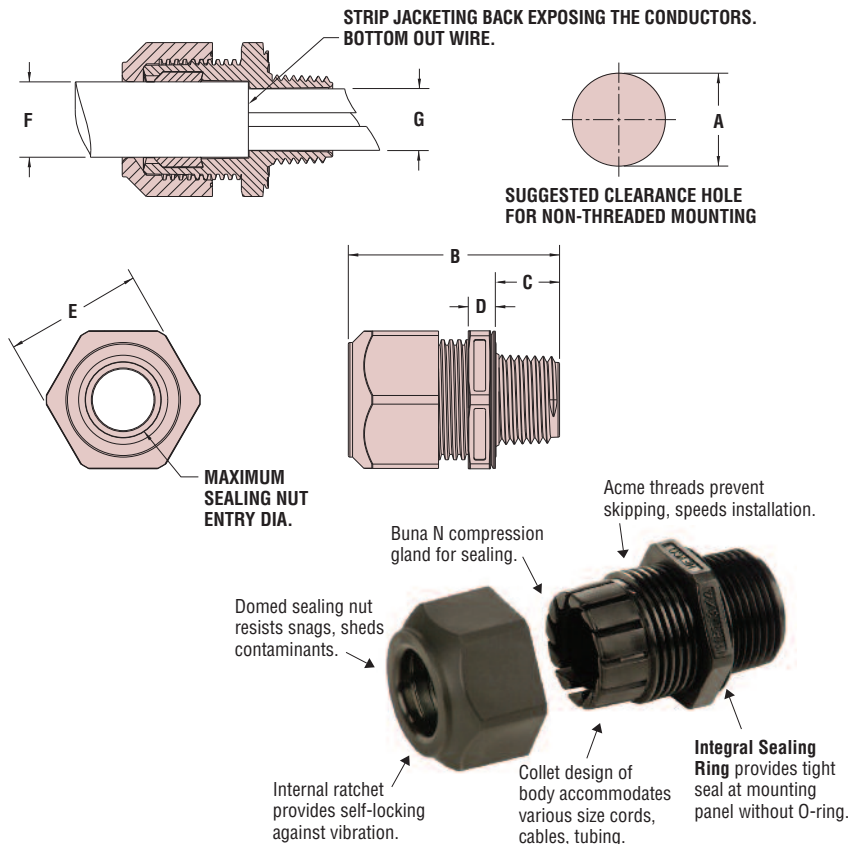
The Ultimate in Liquid Tight Strain Relief Protection

| CABLE DIA. RANGE | | | | | | PART NO. | | DESCRIPTION | PART DIMENSIONS | | | | | | | | | |
|------------------|------|--|------|---|------|----------|-------|-------------|-----------------------------|------|--------------------------|------|-----------------------|------|---------------------------------|-----|-----------------------------|------|
| Minimum | | F Maximum Sealing Nut Entry to meet IP & UL | | G Maximum Individual-conductor bundle Pass-through | | Black | Gray | | A Clearance Hole Dia. | | B Max. O.A. Length | | C Thread Length | | D Wrenching Nut Thickness | | E Wrenching Nut Flats | |
| in. | mm. | in. | mm. | in. | mm. | | | | in. | mm. | in. | mm. | in. | mm. | in. | mm. | in. | mm. |
| 0.435 | 11,0 | 0.705* | 17,9 | 0.57 | 14,5 | M3330 | M3331 | MLTCG 1/2 | 0.875 | 22,2 | 1.99 | 50,5 | 0.61 | 15,5 | 0.25 | 6,4 | 1.30 | 33,0 |
| 0.590 | 15,0 | 1.000* | 25,4 | 0.71 | 18,0 | M3332 | M3333 | MLTCG 3/4 | 1.109 | 28,2 | 2.28 | 57,9 | 0.62 | 15,7 | 0.30 | 7,6 | 1.73 | 43,9 |
| 0.875 | 22,2 | 1.260* | 32,0 | 1.01 | 25,7 | M3334 | M3335 | MLTCG 1 | 1.375 | 34,9 | 2.68 | 68,1 | 0.74 | 18,8 | 0.31 | 7,9 | 2.05 | 52,1 |
| 1.230 | 31,2 | 1.560* | 39,6 | 1.27 | 32,3 | M3336 | M3337 | MLTCG 1-1/4 | 1.680 | 42,7 | 2.82 | 71,6 | 0.77 | 19,6 | 0.36 | 9,1 | 2.46 | 62,5 |

*For cable diameters greater than the Max individual-conductor bundle Pass-through diameters, jacketing is required to be stripped back.

See Heyco Liquid Tight Threaded Plugs.

Consult Heyco for cordgrips molded in other colors.



- The new "Maximized" Cord Grips allow for the largest cable diameter potential to fit through our standard Cord Grips.
- Cable outer jacketing is required to be stripped back in order for individual conductors to pass through the throat of the Cord Grip body. The Sealing Nut action to provide liquid tight and strain relief functionality is the same as our standard Cord Grip, and cinches down on the outer-jacketed portion of the cable.
- Integral Sealing Ring ensures a superior seal at the clearance or threaded mounting hole location, every time.
- IP 68 rating.
- Approval for NEMA 4, 4X, 6 and 6P applications – **Pending**.
- Ratchet design of sealing nut provides superior anti-vibration protection and ensures a firm grip on the cable.
- Acme threads on body prevent skipping and speed installation.
- All nylon construction with Buna N sealing gland resists salt water, weak acids, gasoline, alcohol, oil, grease, and common solvents. (This feature is not assessed by UL.)
- Multiple sizes for flexible cord diameters ranging from .435" (11,0 mm) to 1.560" (39,6 mm).
- We recommend using the fitting with the smallest maximum diameter that will fit your application.

| | |
|---------------------|---|
| Material | Nylon 6/6 w/Buna N or TPE Sealing Gland |
| Certifications | Listed under Underwriters' Laboratories File E51579 (Pending) Certified by Canadian Standard Association File 93876C (Pending) Approved for NEMA 4, 4X, 6 and 6P applications (Pending) |
| Flammability Rating | 94V-2 consult factory for V0 material |
| Temperature Range | Static -40°F (-40°C) to 239°F (115°C) Dynamic -4°F (-20°C) to 212°F (100°C) |
| IP Rating | IP 68 (2.7 PSI) |