

“Stay Connected” with



Bushings, Grommets, HEYcaps & Plugs

a PennEngineering® Company

ALL NEW PRODUCTS!



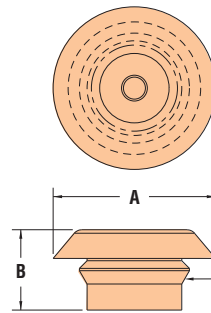
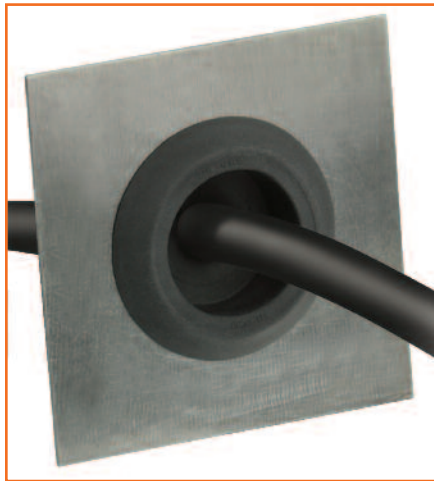
## Skinned-Over Thermoplastic Rubber Grommets

Mounting Hole Diameter Range: .500" (12,7 mm) to 1.500" (38,1 mm)

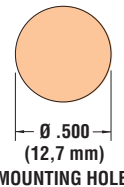
- Plug holes with the confidence of an IP X5 rating at Max Cable Diameter.
- Easily applied into hole by hand for secure seal.
- Reliance of a UL 94 V-0 flammability rated material.
- Piercable to allow for single, or multiple, cable pass through.
- Starter Hole required, and eases cable insertion.
- Multiple holes possible with starter hole of 50% of cable diameter.
- Once pierced, no longer IP X5 rated, but airflow, particulate and water pass-through is deterred.
- UL Pending

MOUNTING HOLE DIAMETER		PART NO. Black	DESCRIPTION	Max Cable Diameter		Starter Hole Dia. for Max Cable		PART DIMENSIONS B		C	
in.	mm.			in.	mm.	in.	mm.	in.	mm.	in.	mm.
<b>For Panel Thickness from .063" (1,6 mm) to .094" (2,4 mm)</b>											
.500	12,7	13852*	STRG 500	0.18	4,57	.109	2,77	.85	21,6	.42	10,7
.625	15,9	13854	STRG 625	0.25	6,35	.125	3,18	.97	24,6		
<b>For Panel Thickness from .063" (1,6 mm) to .125" (3,2 mm)</b>											
.750	19,1	13860	STRG 750	0.31	7,87	.125	3,18	1.10	27,9	.42	10,7
.875	22,2	13862	STRG 875	0.37	9,40	.125	3,18	1.22	31,0		
1.093	27,8	13866	STRG 1093	0.48	12,19	.250	6,35	1.44	36,6		
1.500	38,1	13872	STRG 1500	0.68	17,27	.500	12,7	1.85	47,0		

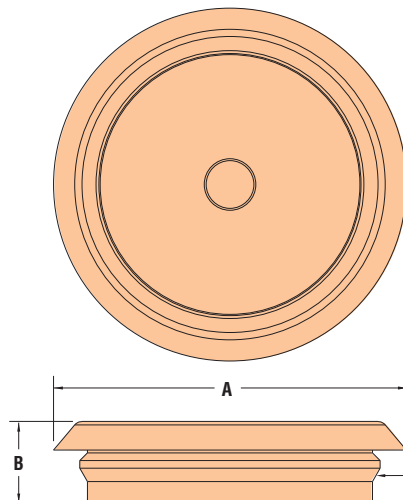
\*Durometer 70 Shore A for STRG 500



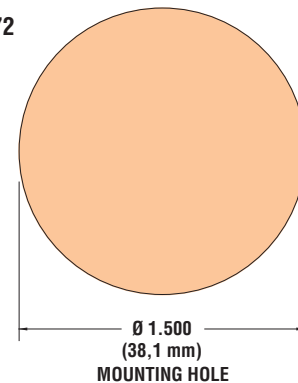
13852



SINGLE STEP WILL ACCOMMODATE PANEL THICKNESS OF .031 (0,8 mm) TO .094 (2,4 mm)  
IP RATED AT MINIMUM PANEL THICKNESS OF .063" (1,6 mm)



13872



SINGLE STEP WILL ACCOMMODATE PANEL THICKNESS OF .031 (0,8 mm) TO .125 (3,2 mm)  
IP RATED AT MINIMUM PANEL THICKNESS OF .063" (1,6 mm)

Quick Specs

Material: TPE - Hardness 80 Shore A (\*70 Shore A on STRG 500)  
Flammability: UL 94 V-0  
Temperature Range: -81°F (-60°C) to 275°F (135°C)

6-STRG

1-800-526-4182 • 732-286-1800 (NJ) • FAX: 732-244-8843 • www.heyco.com