

“Stay Connected” with



Bushings, Grommets, HEYcaps & Plugs

a PennEngineering® Company

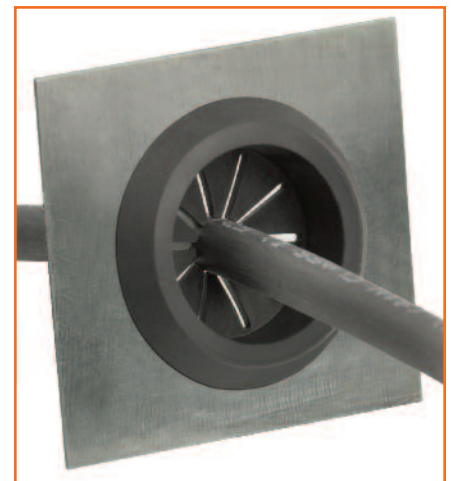
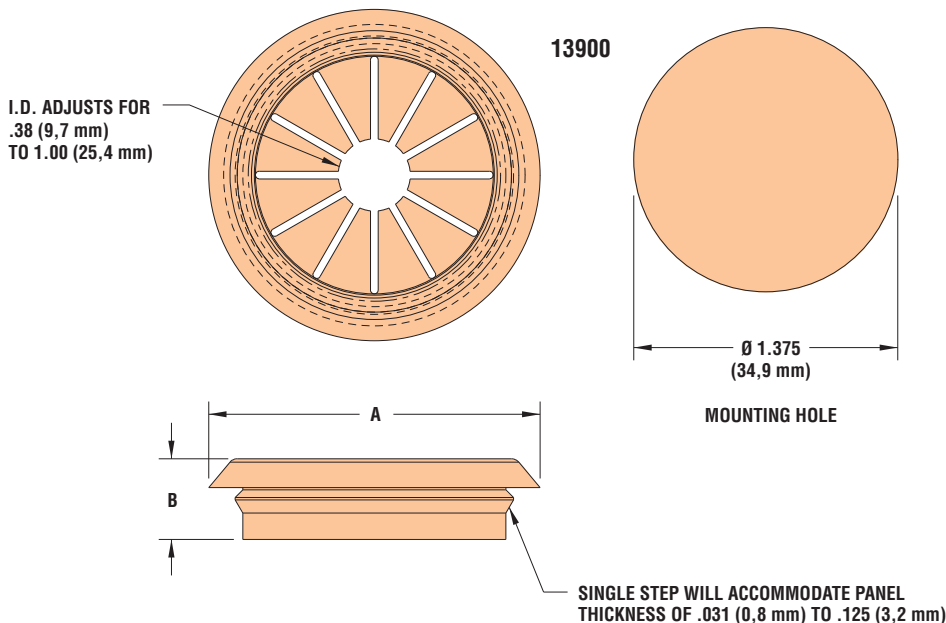


Universal Thermoplastic Rubber Grommets

Mounting Hole Diameter Range: .500" (12,7 mm) to 3.000" (76,2 mm)

MOUNTING HOLE DIAMETER		PART NO. Black	DESCRIPTION	Max Cable Diameter		PART DIMENSIONS			
in.	mm.			in.	mm.	A Head Diameter		B Overall Height	
For Panel Thickness from .063" (1,6 mm) to .094" (2,4 mm)									
.500	12,7	13882	UTRG 500	.28	7,1	.85	21,6	.42	10,7
.625	15,9	13884	UTRG 625	.37	9,4	.97	24,6		
For Panel Thickness from .063" (1,6 mm) to .125" (3,2 mm)									
.750	19,1	13890	UTRG 750	.45	11,4	1.10	27,9	.42	10,7
.875	22,2	13892	UTRG 875	.50	12,7	1.22	31,0		
1.000	25,4	13894	UTRG 1000	.65	16,5	1.35	34,3		
1.093	27,8	13896	UTRG 1093	.75	19,1	1.44	36,6		
1.250	31,8	13898	UTRG 1250	.96	24,4	1.60	40,6		
1.375	34,9	13900	UTRG 1375	1.00	25,4	1.73	43,9		
1.500	38,1	13902	UTRG 1500	1.10	27,9	1.85	47,0		
1.750	44,5	13903	UTRG 1750	1.25	31,8	2.09	53,1		
2.000	50,8	13904	UTRG 2000	1.50	38,1	2.36	59,9		
2.500	63,5	13906	UTRG 2500	2.00	50,8	2.85	72,4		
3.000	76,2	13908	UTRG 3000	2.40	61,0	3.38	85,9		

- Flexible shutters adjust to accommodate and support any shape up to a maximum cable/bundle diameter of 2.4" (61,0 mm).
- Easily applied into hole by hand.
- Reliance of a UL 94 V-0 flammability rated material.
- Absorb vibration.
- Cushions and insulates cable, tubing, hoses or shafts.
- UL Pending.



Material TPE - Hardness 80 Shore A
 Flammability UL 94 V-0
 Temperature Range -81°F (-60°C) to 275°F (135°C)

*Quick
Specs*