

“Stay Connected” with



Bushings, Grommets, HEYcaps & Plugs

a PennEngineering® Company

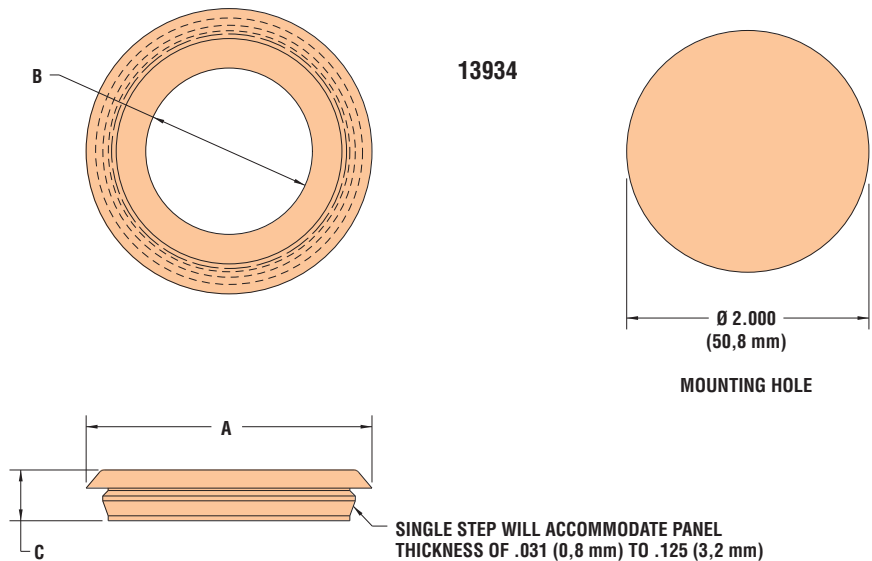
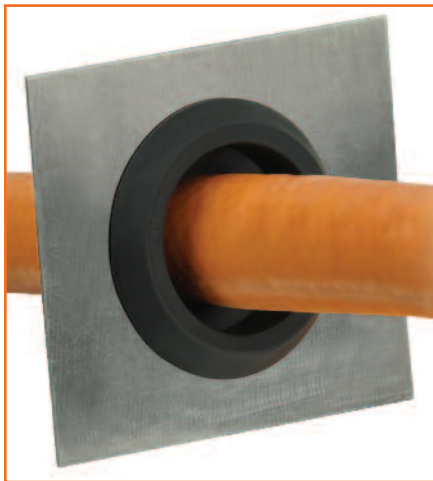


- Pass-through hole provides easy routing and protection through sharp-edged holes.
- Flexible material at ID provides a snug fit.
- Easily applied into hole by hand.
- Reliance of a UL 94 V-0 flammability rated material.
- Absorb vibration.
- Cushions and insulates cable, tubing, hoses or shafts.
- UL Pending.

Pass-Through Thermoplastic Rubber Grommets

Mounting Hole Diameter Range: .500" (12,7 mm) to 3.000" (76,2 mm)

MOUNTING HOLE DIAMETER		PART NO. Black	DESCRIPTION	PART DIMENSIONS				C Overall Height	
in.	mm.			A Head Diameter		B Inner Diameter			
For Panel Thickness from .031" (0,8 mm) to .094" (2,4 mm)									
.500	12,7	13914	STRG 500-1	.85	21,6	.063	1,6	.42	10,7
.625	15,9	13916	STRG 625-3	.97	24,6	.188	4,8		
For Panel Thickness from .031" (0,8 mm) to .125" (3,2 mm)									
.750	19,1	13918	STRG 750-4	1.10	27,9	.25	6,4	.42	10,7
.875	22,2	13920	STRG 875-7	1.22	31,0	.44	11,2		
1.000	25,4	13922	STRG 1000-7	1.35	34,3	.44	11,2		
1.093	27,8	13924	STRG 1093-10	1.44	36,6	.63	16,0		
1.250	31,8	13926	STRG 1250-11	1.60	40,6	.69	17,5		
1.375	34,9	13928	STRG 1375-13	1.73	43,9	.81	20,6		
1.500	38,1	13930	STRG 1500-13	1.85	47,0	.81	20,6		
1.750	44,5	13932	STRG 1750-16	2.09	53,1	1.00	25,4		
2.000	50,8	13934	STRG 2000-22	2.36	59,9	1.38	35,1		
2.500	63,5	13936	STRG 2500-31	2.85	72,4	1.94	49,3		
3.000	76,2	13938	STRG 3000-39	3.38	85,9	2.44	62,0		



Quick
Specs

Material TPE - Hardness 80 Shore A
 Flammability UL 94 V-0
 Temperature Range -81°F (-60°C) to 275°F (135°C)