

“Stay Connected” with



Liquid Tight Cordgrips

a PennEngineering® Company



HEYbrid™ Stainless Steel Liquid Tight Cordgrips

Straight-Thru, NPT Hubs

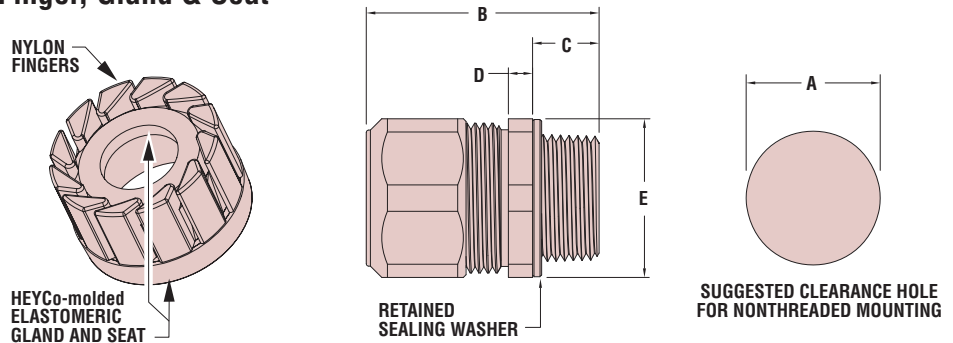
Don't get SKU'ed: More Cable Range, Fewer SKU's – Genetically engineered to destroy your inventory monster!

The Ultimate in Liquid Tight Strain Relief Protection

- **HEYCo-molded gripping finger/gland technology** accommodates the **widest cable range** over the **fewest sku's**.
- Rolled grease-free threads **prevent galling** and allow for multiple assemblies and disassemblies. No messy, unsightly thread lubrication required.
- Self-retaining sealing rings eliminate the need for an O-Ring groove, thus **reducing cost**.
- Approved for **NEMA 4, 4X, 6 and 6P** applications.
- Sealing washer required for through hole applications only.
- Typical applications: Control cabinets, marine, car washes, hot tubs, instrumentation, carpet cleaning machines, food processing equipment, underground for direct burial or submersed up to 130 ft. (70 PSIG).
- Ideal for corrosive environments.
- Constructed from corrosion resistant 303 stainless steel.
- Resistant to salt water, acids and most chemicals.
- Locknuts not included. To order locknuts separately, see page 3-48.
- Patent pending.
- DFARS Compliant

CABLE DIA. RANGE				PART NO.	DESCRIPTION	UL or RA	PART DIMENSIONS									
Minimum		Maximum					A	B		C		D		E		
in.	mm.	in.	mm.	Clearance Hole Dia.	Max. O.A. Length	Thread Length	Thickness	Wrenching Nut Flat Size	in.	mm.	in.	mm.				
HEYCo-molded Finger/Gland																
.065	1,7	.210	5,3	M6000	RSSCG 1/4	cULus	.540	13,7	1,29	32,8	.40	10,2	.20	5,1	.75	19,1
.115	2,9	.250	6,4	M6001	SSCG 1/4											
.065	1,7	.230	5,8	M6002	RSSCG 3/8	cULus	.680	17,3	1,39	35,3	.41	10,4	.20	5,1	.88	22,4
.105	2,7	.315	8,0	M6003	SSCG 3/8											
.095	2,4	.290	7,4	M6006	RSSCG 1/2	cULus	.875	22,2	1,69	42,9	.53	13,5	.20	5,1	1,06	26,9
.170	4,3	.450	11,4	M6007	SSCG 1/2											
.180	4,6	.400	10,1	M6008	RSSCG LL 1/2	cULus	.875	22,2	1,81	46,0	.53	13,5	.20	5,1	1,25	31,8
.260	6,6	.545	13,8	M6009	SSCG LL 1/2											
.250	6,4	.490	12,4	M6010	RSSCG 3/4	cULus	1,109	28,2	1,93	49,0	.55	14,0	.20	5,1	1,31	33,3
.435	11,0	.705	17,9	M6011	SSCG 3/4											
.490	12,4	.785	19,9	M6012	RSSCG 1	cULus	1,375	34,9	2,29	58,1	.69	17,5	.20	5,1	1,75	44,5
.590	15,0	1,000	25,4	M6013	SSCG 1											
Discrete Finger & Gland																
.787	20,0	1,020	26,0	M6015	RSSCG 1-1/4	cULus	1,734	44,0	2,31	65,0	.71	18,0	.25	6,4	2,25	57,2
.865	22,0	1,260	32,0	M6016	SSCG 1-1/4											
1,000	25,4	1,240	31,5	M6017	RSSCG 1-1/2	cULus	1,984	50,4	2,69	67,1	.73	18,5	.25	6,4	2,50	63,5
1,230	31,2	1,560	39,6	M6018	SSCG 1-1/2											
1,160	29,5	1,350	34,3	M6019	RSSCG 2	cULus	2,469	62,7	2,92	74,2	.76	19,3	.25	6,4	2,75	69,9
1,450	36,8	1,730	44,0	M6020	SSCG 2											

The HEYCo-molded Finger, Gland & Seat



Quick Specs

Material	303 Stainless Steel Body and sealing nut with nylon 6/6 and TPE co-molded finger/gland assembly SBR Sealing Washer
Certifications	cULus Listed under Underwriters' Laboratories File E51579 cRAus Recognized under Underwriters' Laboratories File E51579
Flammability Rating	94V-2
Temperature Range	-40°F (-40°C) to 221°F (105°C)
IP Rating	IP68 (70 PSI, 5 BAR)