

“Stay Connected” with

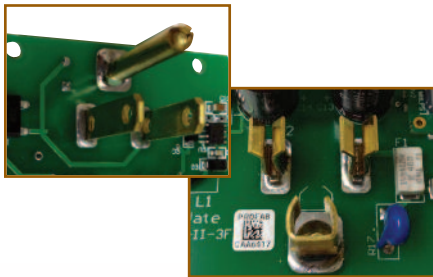


Power Components

a PennEngineering® Company



- Interchangeable with **1186 Series**, page 8-53.
- Higher temper, thinner material for lower cost, yet these Padded Blades are **functionally equivalent** to their Full thickness counterparts.
- Female end is a wiping contact.
- 1.59” (40,4 mm) overall length.
- Available in bulk only.
- DFARS Compliant

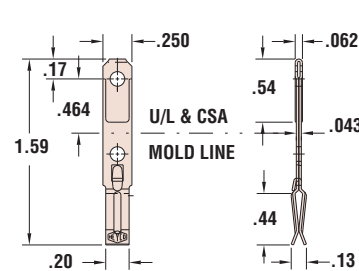


Heyco® Male/Female Combination Terminals - 20 Gauge

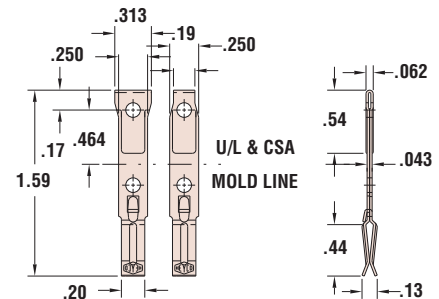
Padded Combination Blades - .043” Mold Line Thickness

For Heyco’s complete line of Padded Blades, see pages 8-29 & 8-30.

Overall Length in.	PART DATA			PART NO.		Feeds
	Type	Width in.	Material	Non-polarized	Polarized	
1189 Series						
1.59	Blade	.250	Brass	6320	-	Bulk
	Blade	.313	Brass	-	6321	
	Neutral	.250	Brass	-	6322	



1189 Series Non-Polarized

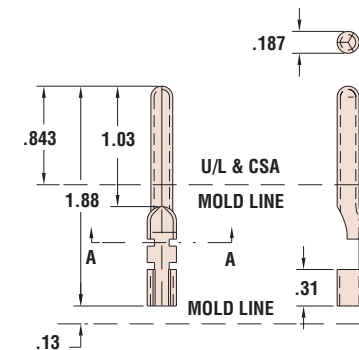


1189 Series Polarized

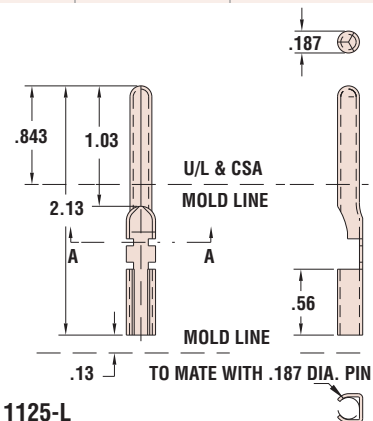
Heyco® Combination Ground Pins

For Heyco’s complete line of Ground Pins, see pages 8-39 thru 8-44.

Overall Length in.	PART DATA			PART NO.		Feeds
	Type	Mate Dia. in.	Material			
1125 Series - Round Barrel						
1.88	Ground Pin	.187	Brass	7245	Bulk	
				7246		Right to Left
2.13	Long Ground Pin	.187	Brass	7247	Bulk	
1526 Series - D-Shape Barrel						
1.08	D-Shape	.187	Brass	7347	Bulk	



1125 Series



1125-L

- For grounding type adapters, series plugs and piggy-back current taps.
- **1125 Series** parts are grounding pin/ground connectors, compatible with ALL Combination Terminals on pages 8-55 thru 8-57.
- **1526 Series** parts are terminal lug/ground connectors designed for circuit boards or “3 to 2” wire grounding adapters or converters. For use with **1186 and 1189 Series** Combination Terminals, pages 8-55 and above.
- DFARS Compliant

Quick Specs

Material	Alloy 260 Brass (70% Cu, 30% Zn. Higher Cu content resists dezincification)
Certifications	Recognized Component under UL File E164169